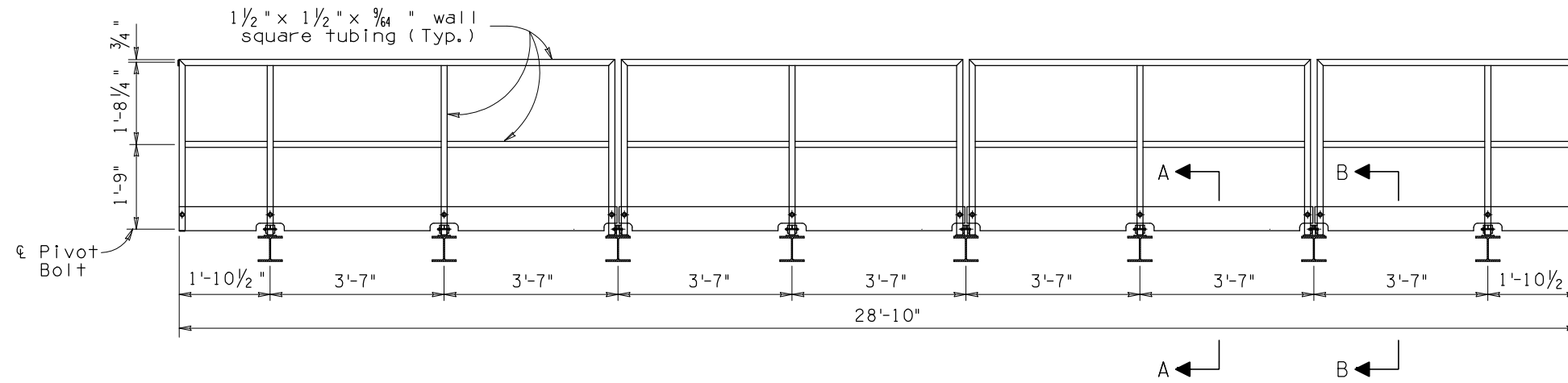


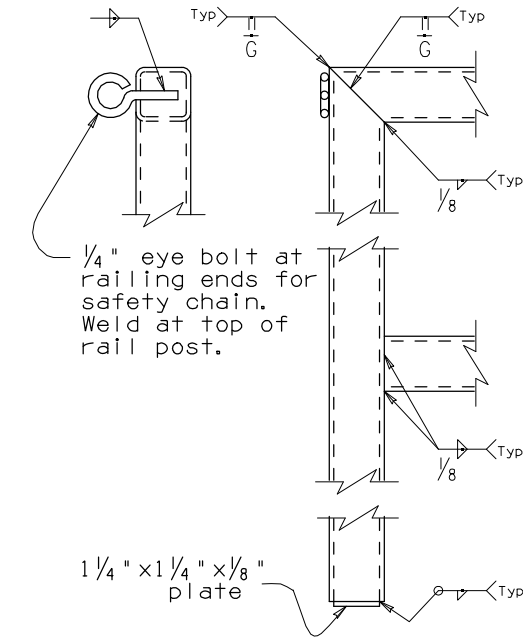
F.H.W.A. REGION	STATE	PROJECT NO.	SHEET NO.	TOTAL SHEETS	AS BUILT
9	ARIZ.				



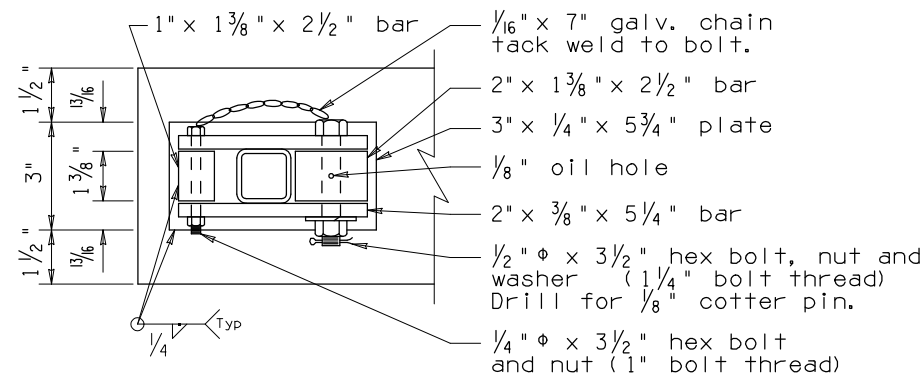
HANDRAIL ELEVATION
Scale: 5/8" = 1'-0"

NOTE:

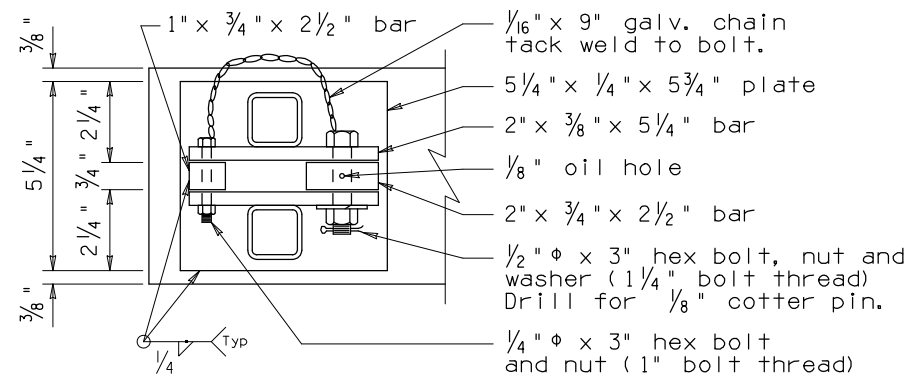
Handrail to be 1/2" x 1 1/2" x 3/64" square steel tubing weighing 2.70 plf.



HANDRAIL WELD DETAILS



SECTION C-C
(Single Post)



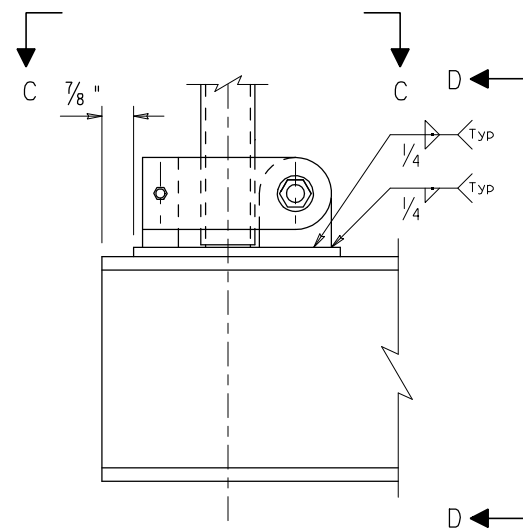
SECTION E-E
(Dual Post)

NOTE:

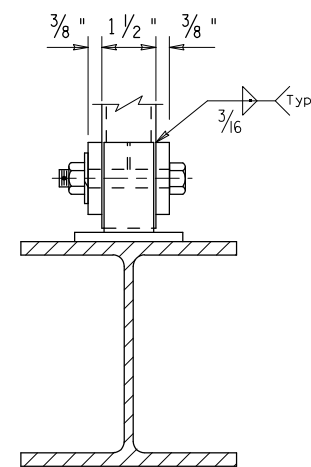
Provide 5/8" phi holes for 1/2" phi pivot bolts and 3/8" phi holes for 1/4" phi lock bolts.

Note to Designer:
 The information presented in this Standard Detail has been prepared in accordance with recognized engineering principles and is for general use. It should not be used for specific application without competent professional examination and verification of its suitability and applicability by a licensed professional engineer. Contents within the inner border line shall not be altered.

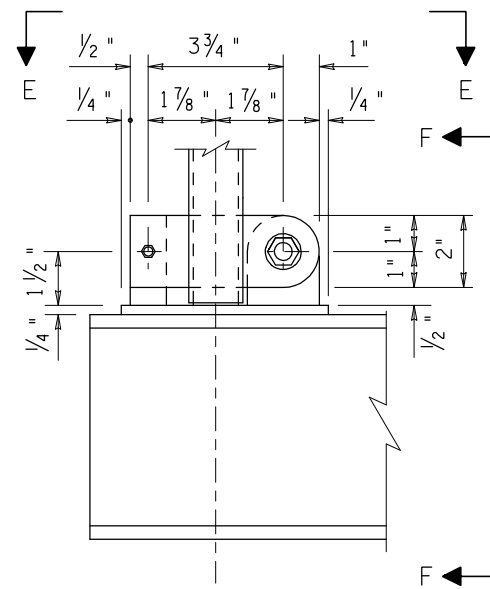
NO.	DESCRIPTION OF REVISIONS	MADE BY	DATE
1	Original Issue	SLH	1-00
2	Remove harness, drip pan, widen grating, enlarge base PL. hole	SLH	7-00
3			
4			



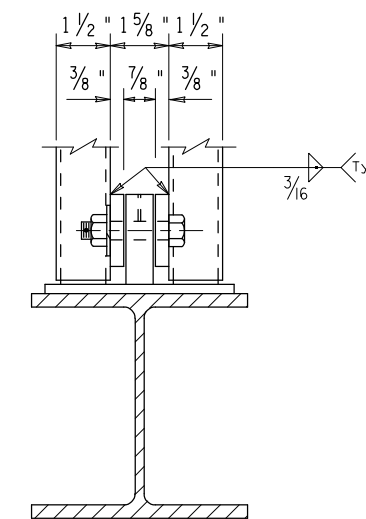
SECTION A-A
(Single Post)



SECTION D-D
(Single Post)



SECTION B-B
(Dual Post)



SECTION F-F
(Dual Post)

DESIGN APPROVED <i>Shafiq U. Hasan</i>	ARIZONA DEPARTMENT OF TRANSPORTATION INTERMODAL TRANSPORTATION DIVISION BRIDGE GROUP STRUCTURE DETAIL
APPROVED FOR DISTRIBUTION <i>J. Daniel Davis</i>	VARIABLE MESSAGE SIGN CATWALK HANDRAIL DETAILS
ROUTE	LOCATION
TRACS NO.	DRAWING NO. SD 9.50(4 OF 5) OF