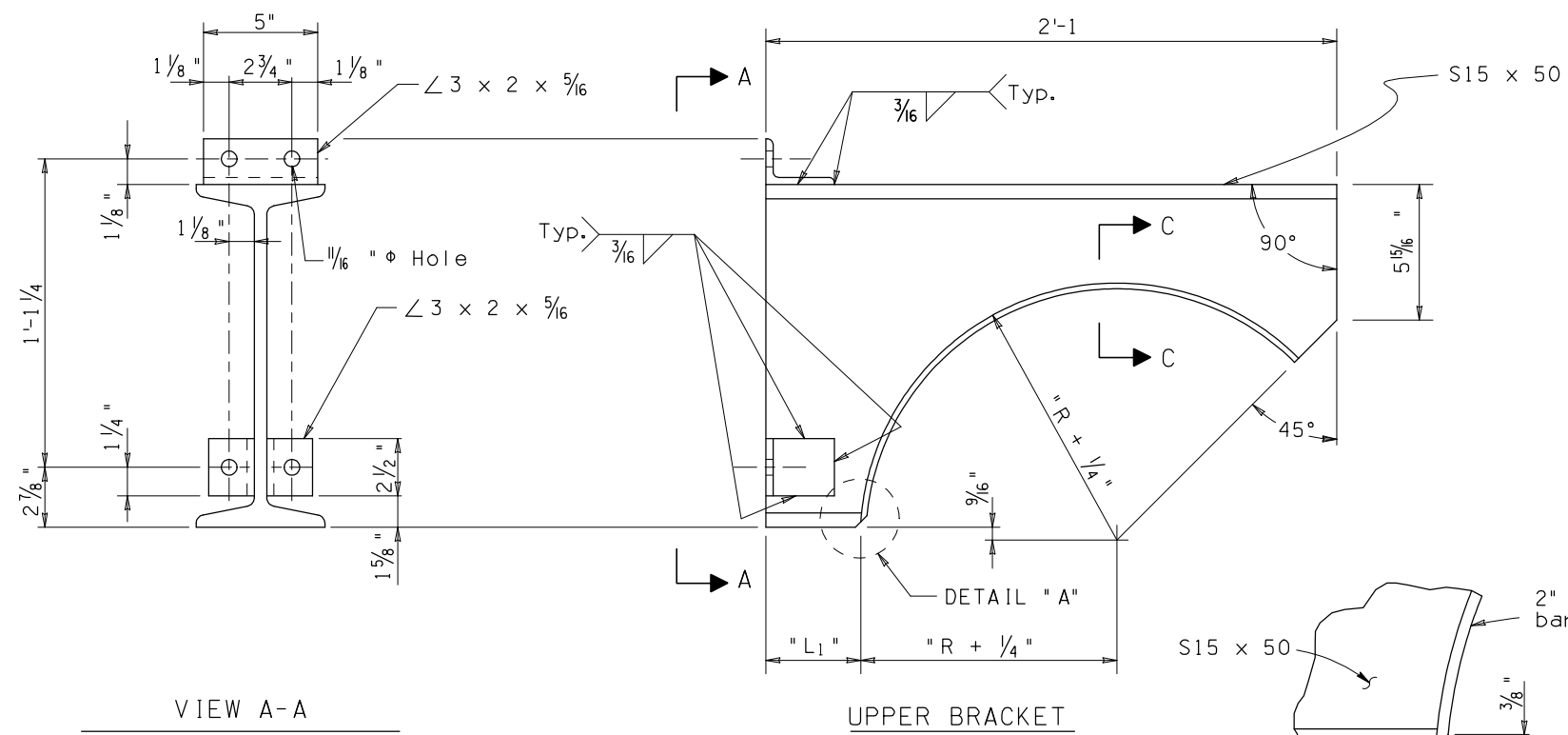
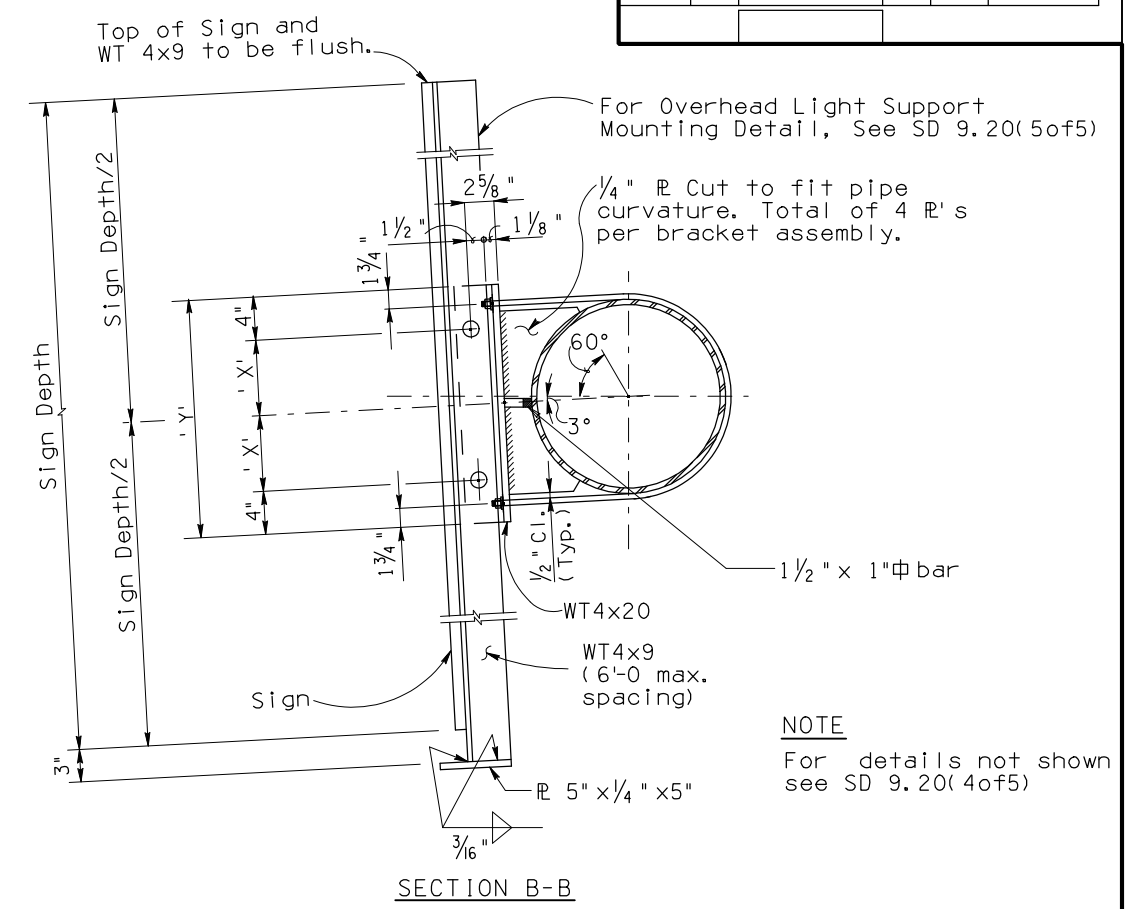


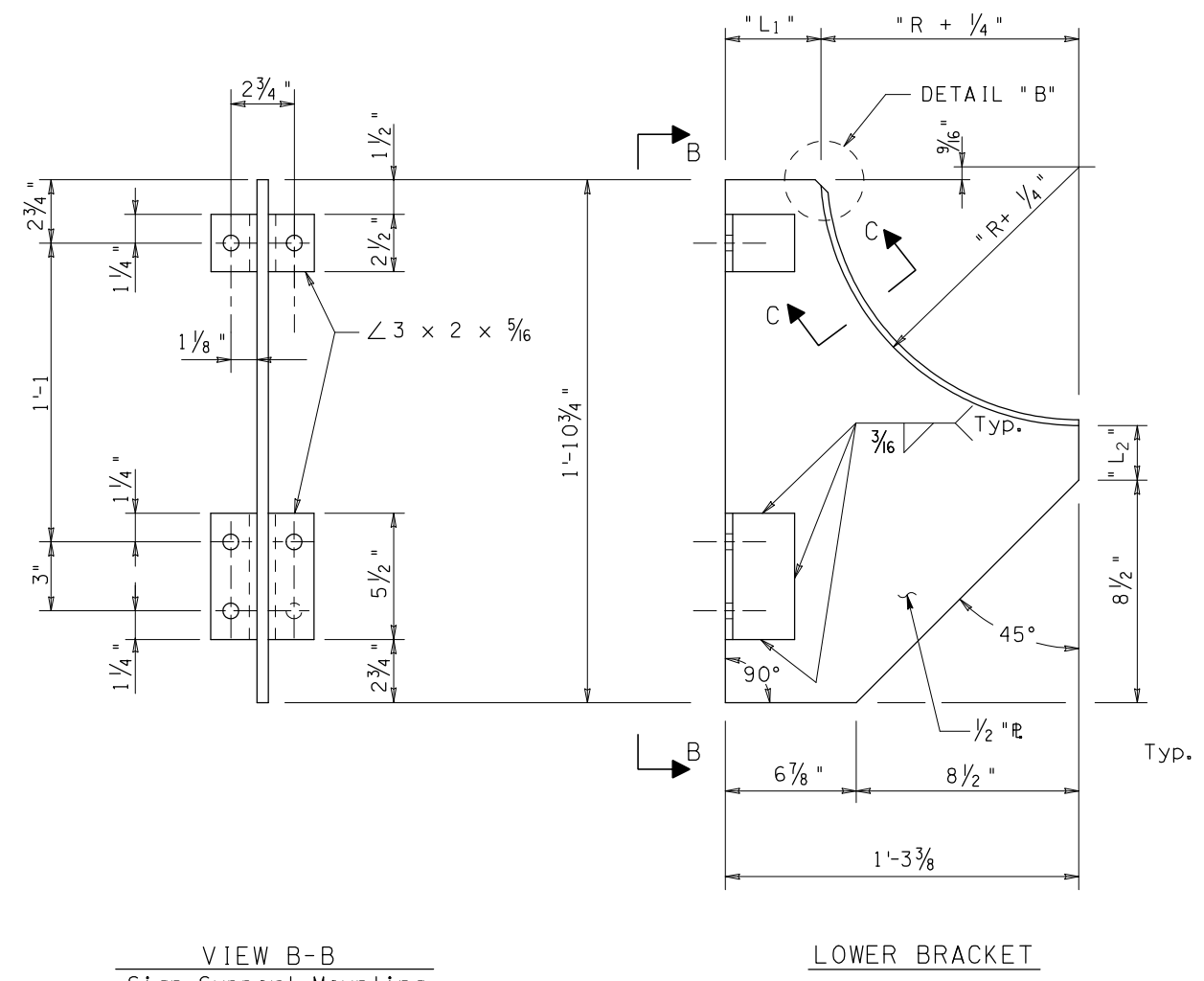
F.H.W.A. REGION	STATE	PROJECT NO.	SHEET NO.	TOTAL SHEETS	AS BUILT
9	ARIZ.				



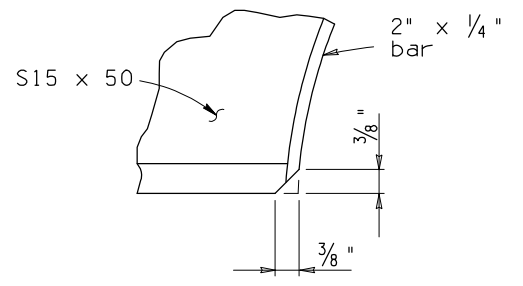
VIEW A-A
Sign Support Mounting - Upper Bracket



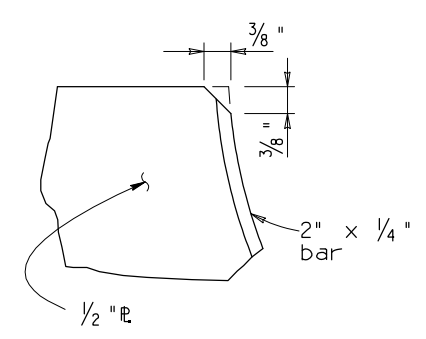
NOTE
For details not shown see SD 9.20(4 of 5)



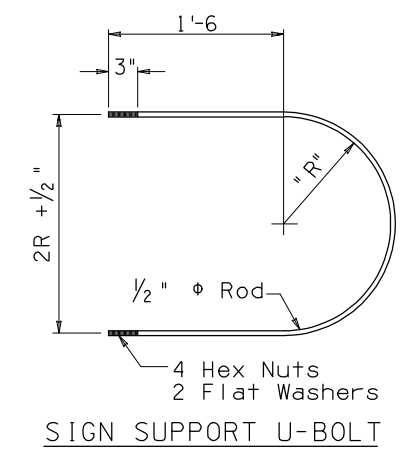
VIEW B-B
Sign Support Mounting - Lower Bracket



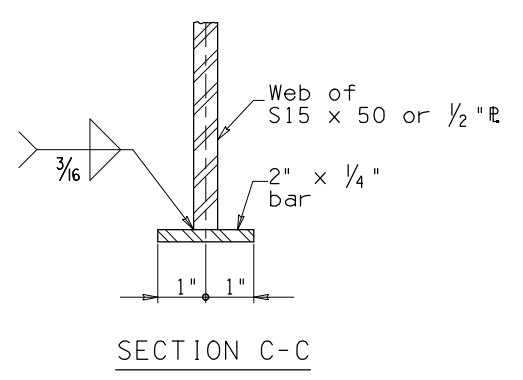
DETAIL "A"



DETAIL "B"



SIGN SUPPORT U-BOLT



SECTION C-C

Pipe O.D.	'X'	'Y'
12 3/4"	4 3/8"	1'-4 3/4"
16"	6"	1'-8"
20"	8"	2'-0"
22"	9"	2'-2"

Frame Type	Nominal Pipe Dia.	R	L ₁	L ₂
1F	12"	6 3/8"	8 3/4"	8 3/16"
2F	16"	8"	7 7/8"	6 9/16"
3F	20"	10"	5 7/8"	4 9/16"
4F	22"	11"	4 7/8"	3 9/16"

DESIGN APPROVED: *Shafiq U. Hasan*

APPROVED FOR DISTRIBUTION: *J. Daniel Davis*

ROUTE: LOCATION: TRACS NO. _____

ARIZONA DEPARTMENT OF TRANSPORTATION
INTERMODAL TRANSPORTATION DIVISION
BRIDGE GROUP STRUCTURE DETAIL

VARIABLE MESSAGE SIGN
TUBULAR FRAME MOUNTING &
SIGN BRACKET DETAILS

DRAWING NO.
SD 9.50(3 of 5)

OF _____

Note to Designer:
The information presented in this Standard Detail has been prepared in accordance with recognized engineering principles and is for general use. It should not be used for specific application without competent professional examination and verification of its suitability and applicability by a licensed professional engineer. Contents within the inner border line shall not be altered.

NO	DATE	DESCRIPTION OF REVISIONS
1	7-99	Original Issue
2	1-00	Add Corwalk
3	7-00	Remove harness, drip pan, widen grating, enlarge base PL, hole
4	8-02	Frame Type and SD 9.20 reference