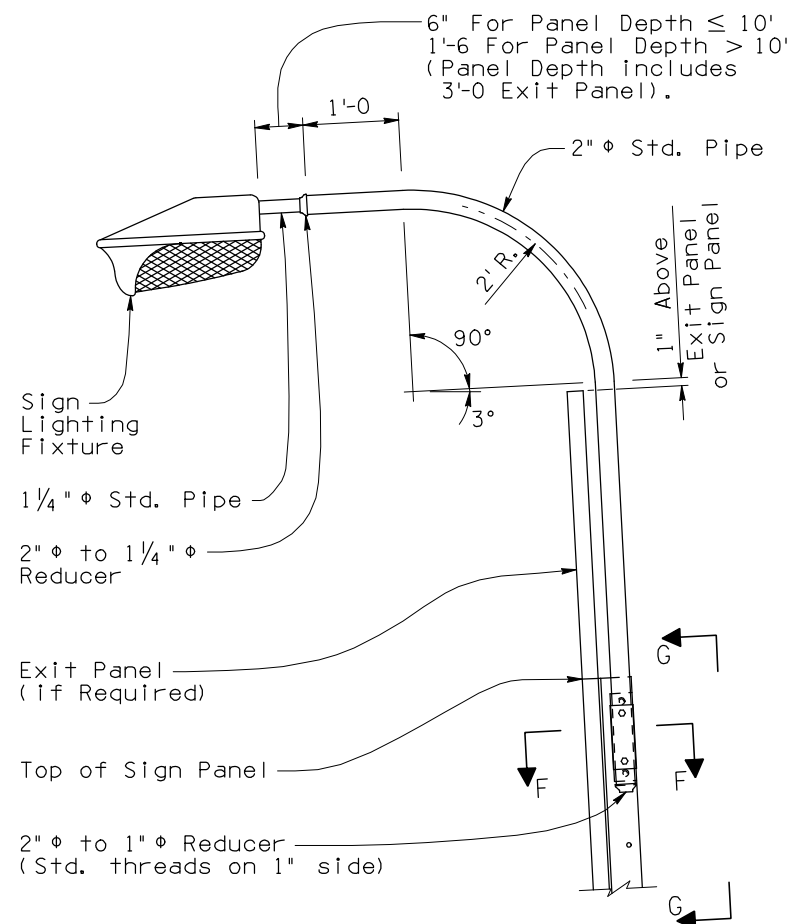


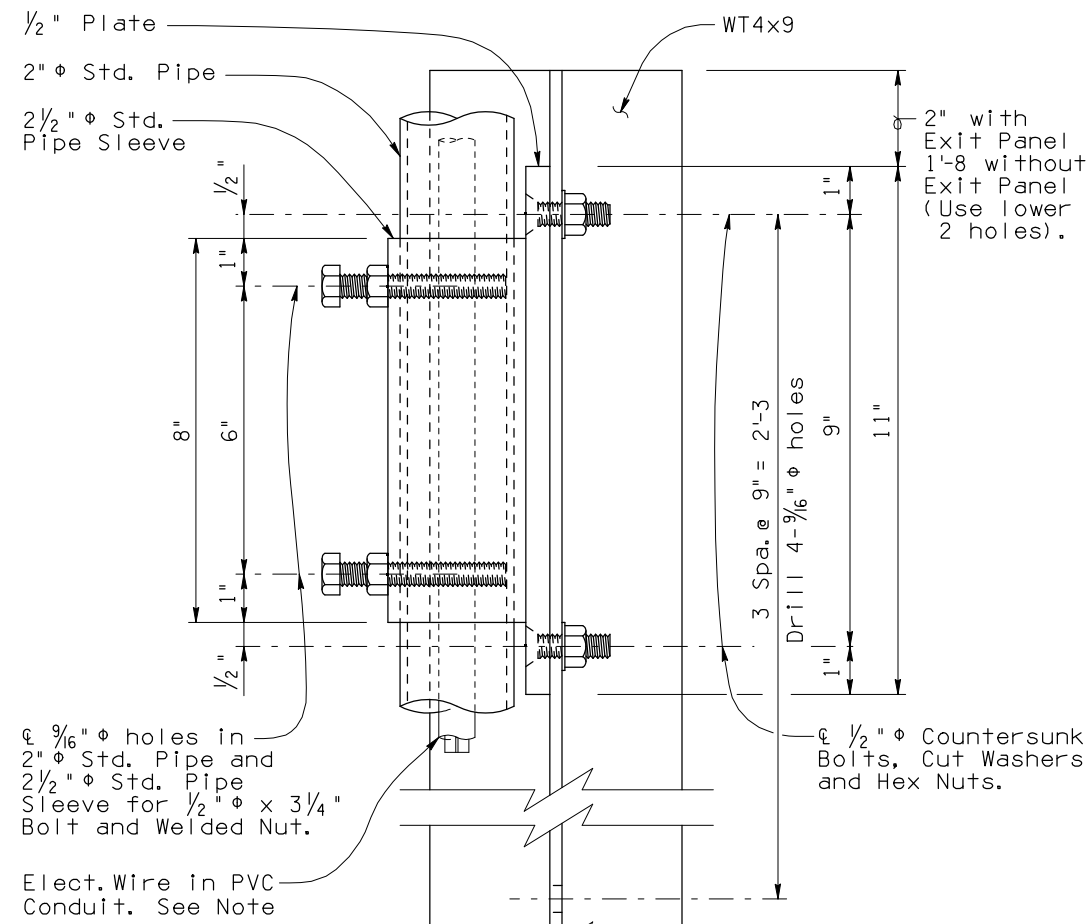
Note to Designer:
The information presented in this Standard Detail has been prepared in accordance with recognized engineering principles and is for general use. It should not be used for specific application without competent professional examination and verification of its suitability and applicability by a licensed professional engineer. Contents within the inner border line shall not be altered.

NO.	DESCRIPTION OF REVISIONS	MADE BY	DATE
1	Original Issue	U.R.P.	6-01
2	General Update	E.U.H.	3-11
3			
4			

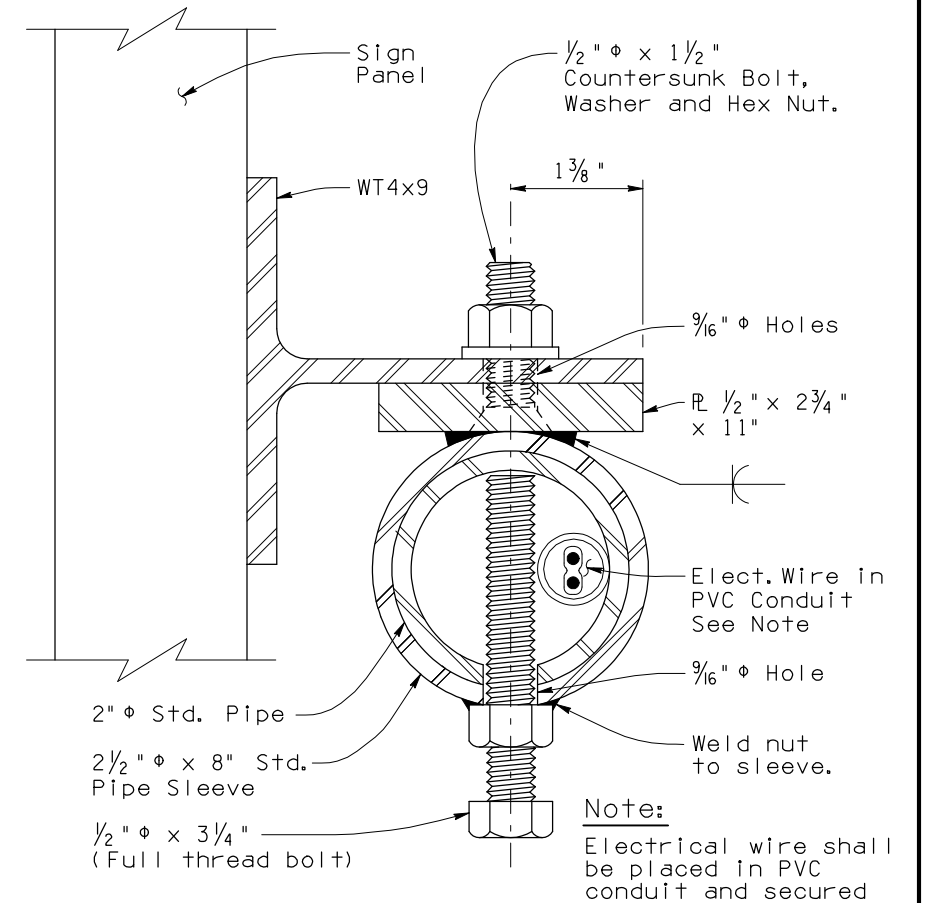


SIDE VIEW

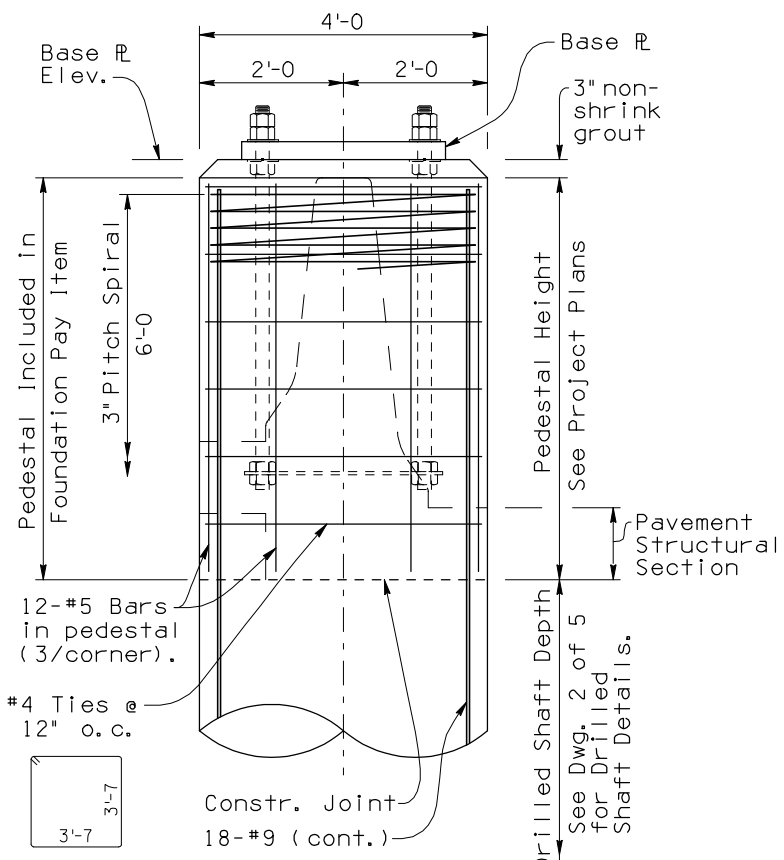
OVERHEAD LIGHT SUPPORT MOUNTING DETAIL



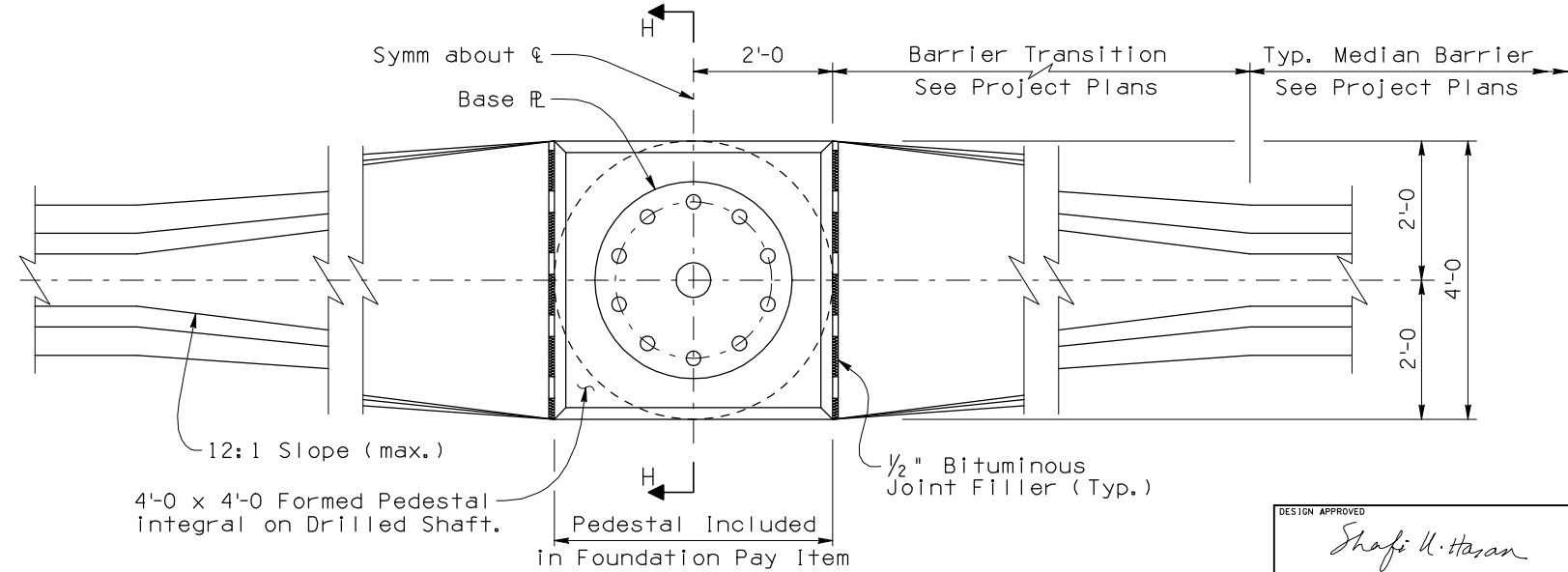
ELEVATION G-G



SECTION F-F



SECTION H-H



PLAN

TUBULAR POST ON BARRIER PEDESTAL

DESIGN APPROVED <i>Shafiq U. Hasan</i>		ARIZONA DEPARTMENT OF TRANSPORTATION INTERMODAL TRANSPORTATION DIVISION BRIDGE GROUP STRUCTURE DETAIL	
APPROVED FOR DISTRIBUTION <i>Teon A. Nehme</i>		TUBULAR SIGN STRUCTURES TUBULAR FRAME LIGHT SUPPORT AND MISC. DETAILS	
ROUTE	PROJECT NO.	FA NO.	DRAWING NO. SD 9.20 (5 of 5)
LOCATION			SHEET NO. OF