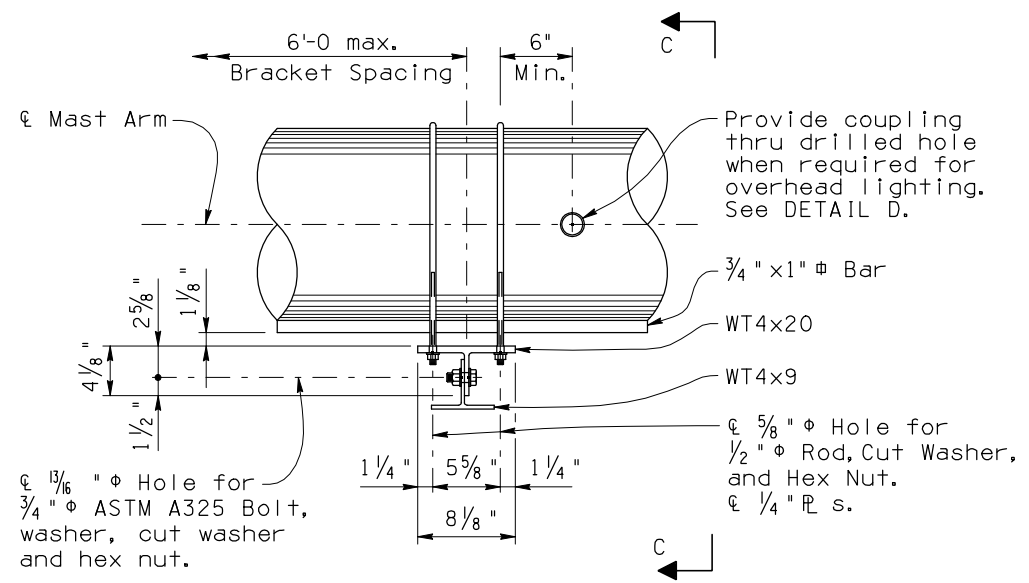
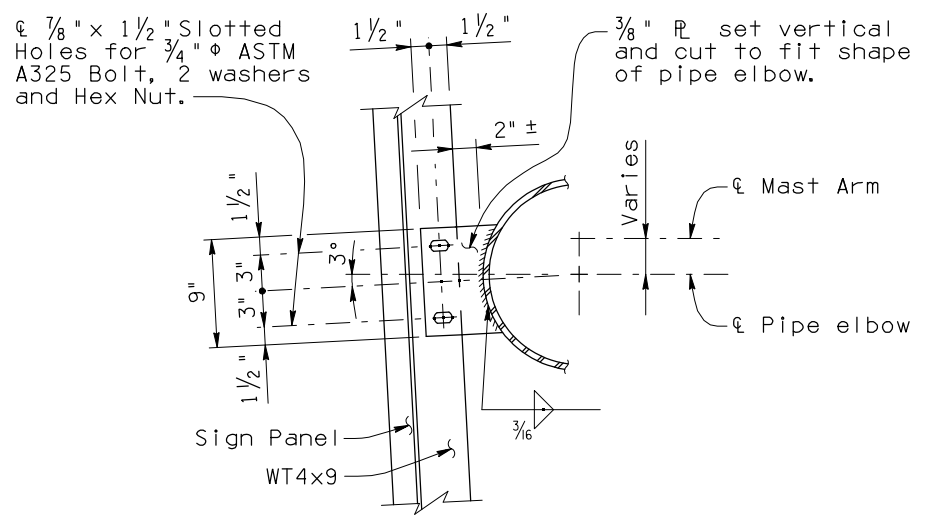


Note to Designer:
 The information presented in this Standard Detail has been prepared in accordance with recognized engineering principles and is for general use. It should not be used for specific application without competent professional examination and verification of its suitability and applicability by a licensed professional engineer. Contents within the inner border line shall not be altered.

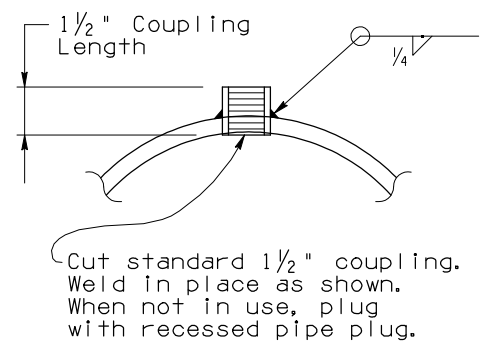
NO.	DESCRIPTION OF REVISIONS	MADE BY	DATE
1	Original Issue	U.R.P.	6-01
2	General Update	G.U.H.	3-11
3			
4			



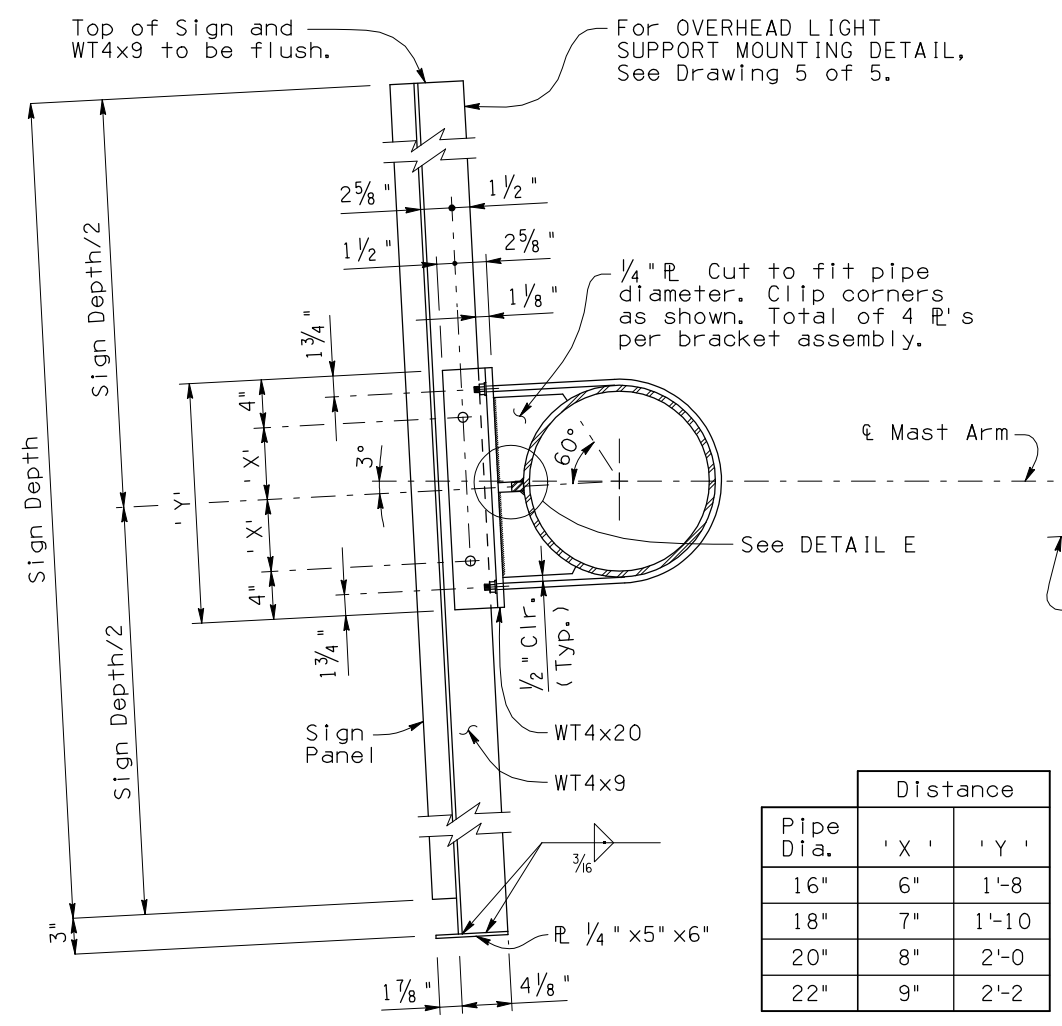
PLAN
SIGN MOUNTING BRACKET



ELEVATION
SIGN MOUNTING BRACKET AT ELBOW

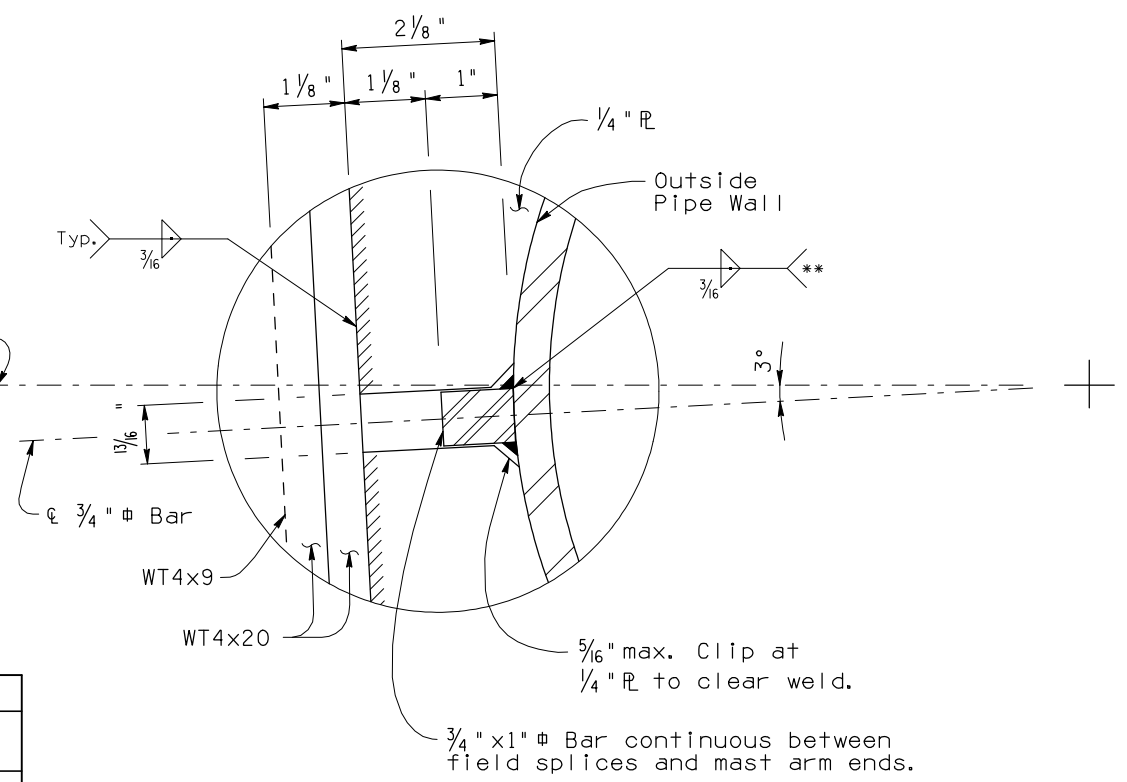


DETAIL D



ELEVATION C-C

Pipe Dia.	Distance	
	'X'	'Y'
16"	6"	1'-8"
18"	7"	1'-10"
20"	8"	2'-0"
22"	9"	2'-2"



DETAIL E

** Discontinue weld for 3 in. at shop splice location. See Dwg. 3 of 5.

DESIGN APPROVED <i>Shafiq U. Hasan</i>		ARIZONA DEPARTMENT OF TRANSPORTATION INTERMODAL TRANSPORTATION DIVISION BRIDGE GROUP STRUCTURE DETAIL	
APPROVED FOR DISTRIBUTION <i>Tean A. Nehme</i>		TUBULAR SIGN STRUCTURES TUBULAR CANTILEVER SIGN SUPPORT DETAILS	
ROUTE	PROJECT NO.	FA NO.	DRAWING NO. SD 9.10 (4 of 5)
LOCATION			SHEET NO. OF