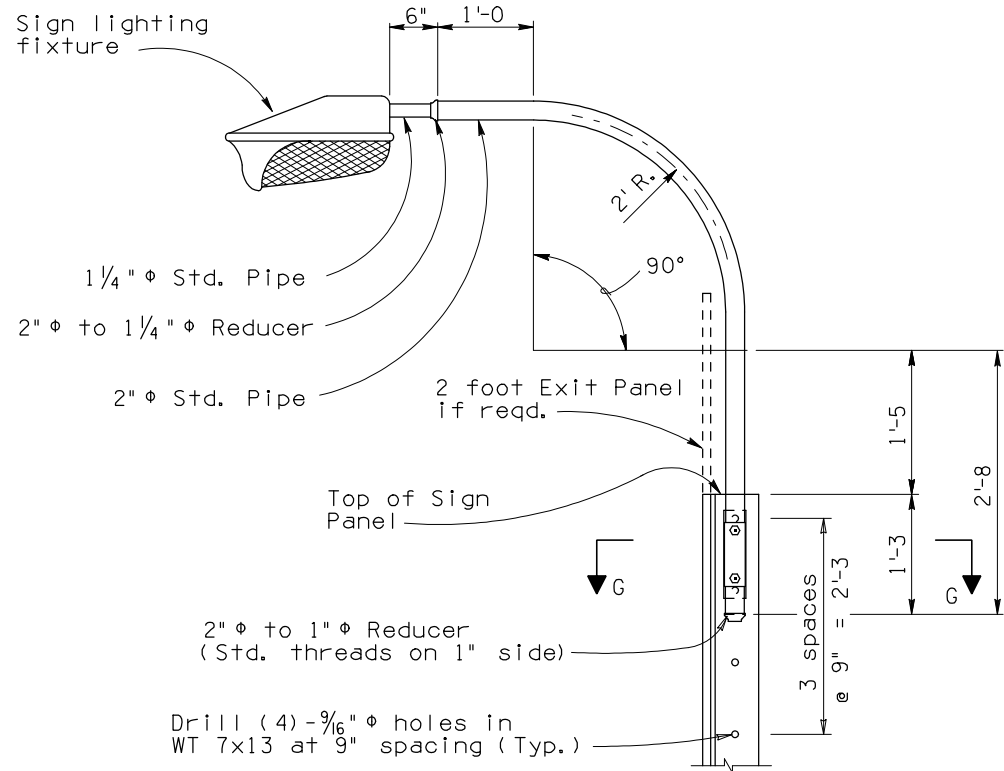
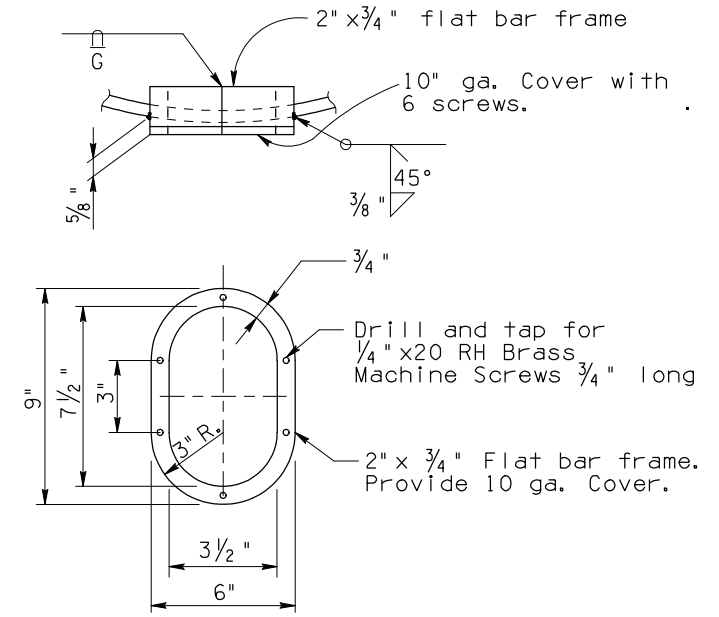
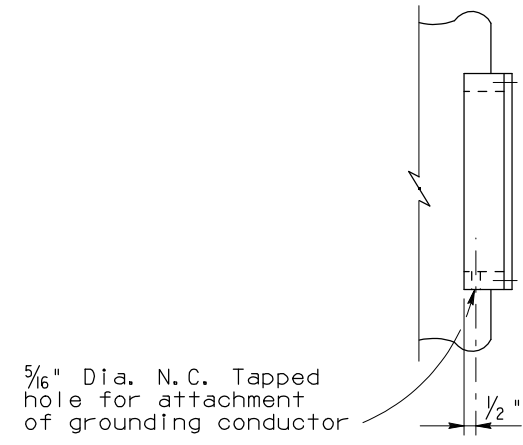


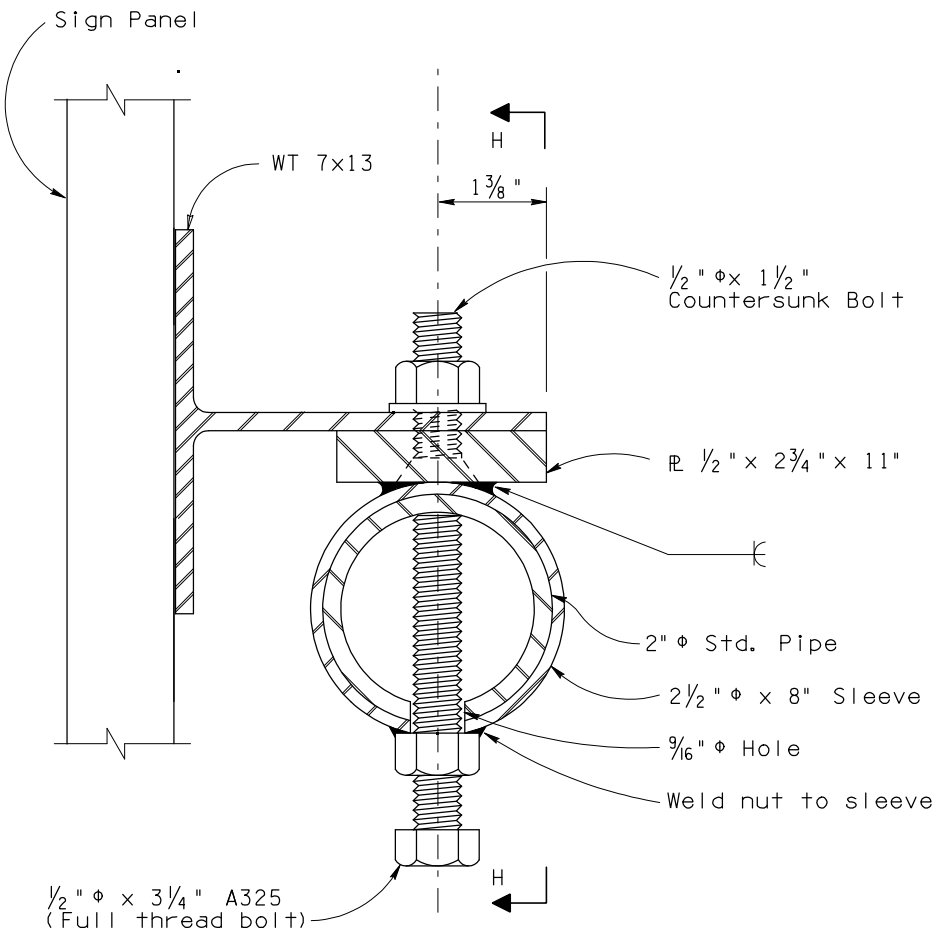
F.H.W.A. REGION	STATE	PROJECT NO.	SHEET NO.	TOTAL SHEETS	AS BUILT
9	ARIZ.				



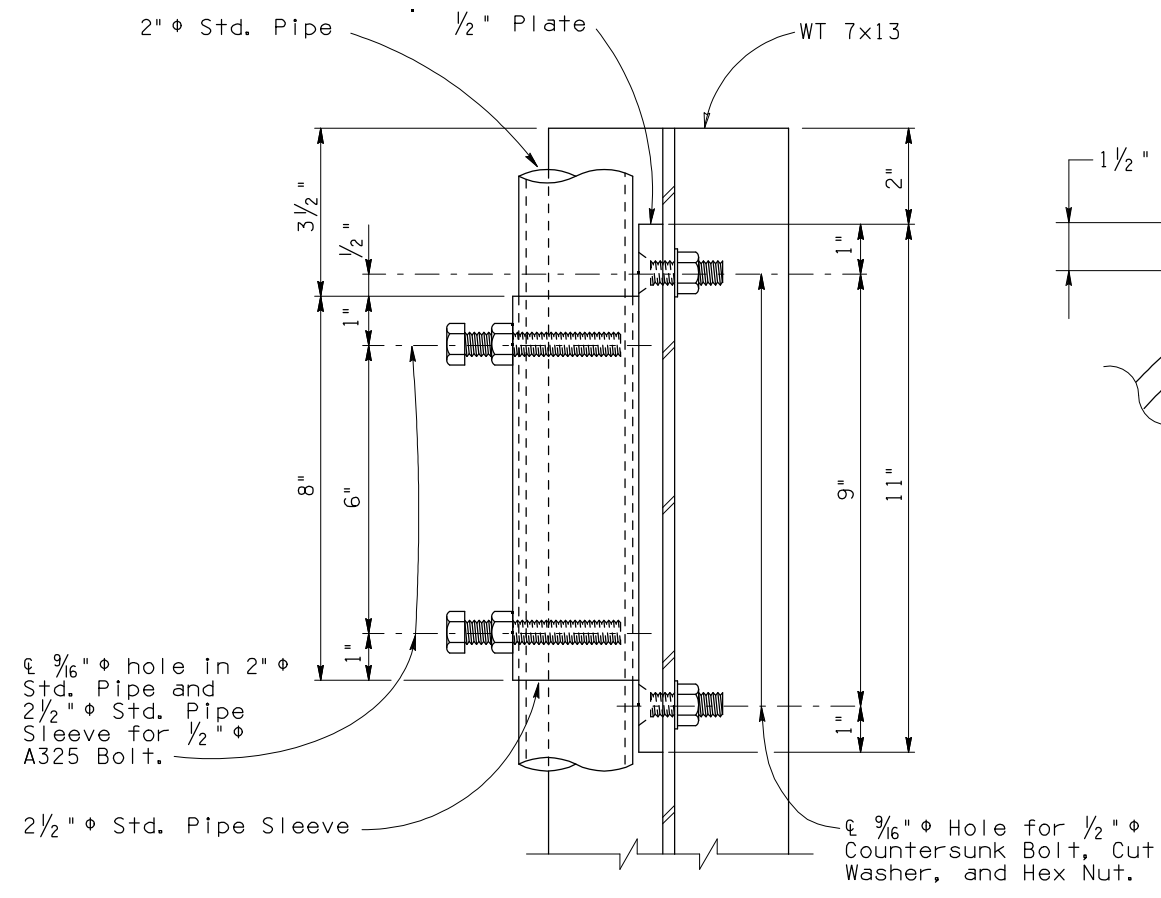
OVERHEAD LIGHT SUPPORT DETAIL



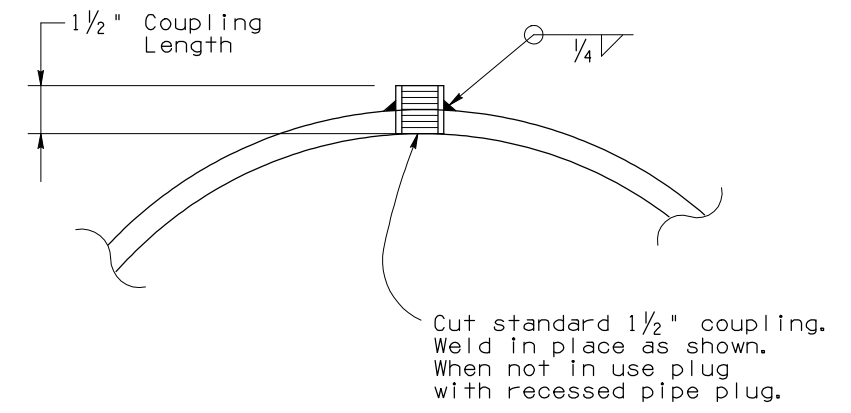
HANDHOLE & COVER DETAILS



SECTION G-G



ELEVATION H-H



COUPLING DETAIL

Note to Designer:
 The information presented in this Standard Detail has been prepared in accordance with recognized engineering principles and is for general use. It should not be used for specific application without competent professional examination and verification of its suitability and applicability by a licensed professional engineer. Contents within the inner border line shall not be altered.

NO.	DATE	DESCRIPTION OF REVISIONS
1	4-00	Original Issue
2		
3		
4		

DESIGN APPROVED <i>Shafiq U. Hasan</i>	ARIZONA DEPARTMENT OF TRANSPORTATION INTERMODAL TRANSPORTATION DIVISION BRIDGE GROUP STRUCTURE DETAIL
APPROVED FOR DISTRIBUTION <i>Tean A. Nehme</i>	MEDIAN SIGN STRUCTURE (TWO SIDED) LIGHT SUPPORT AND MISC. DETAILS
ROUTE	LOCATION
TRACS NO.	DRAWING NO. SD 9.01(5 of 5)
	OF