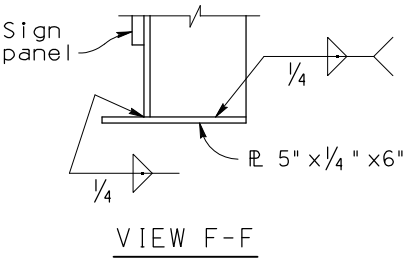
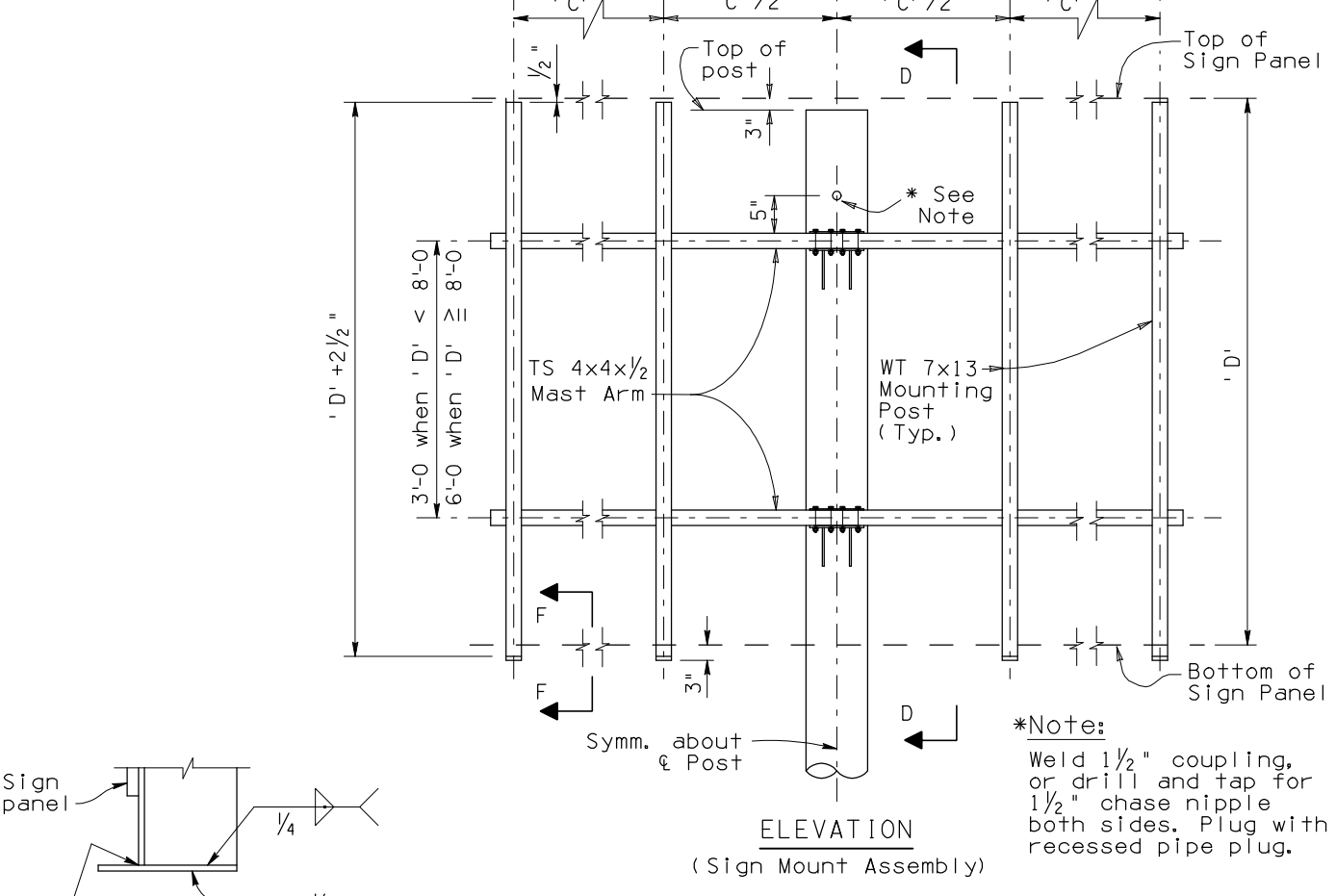
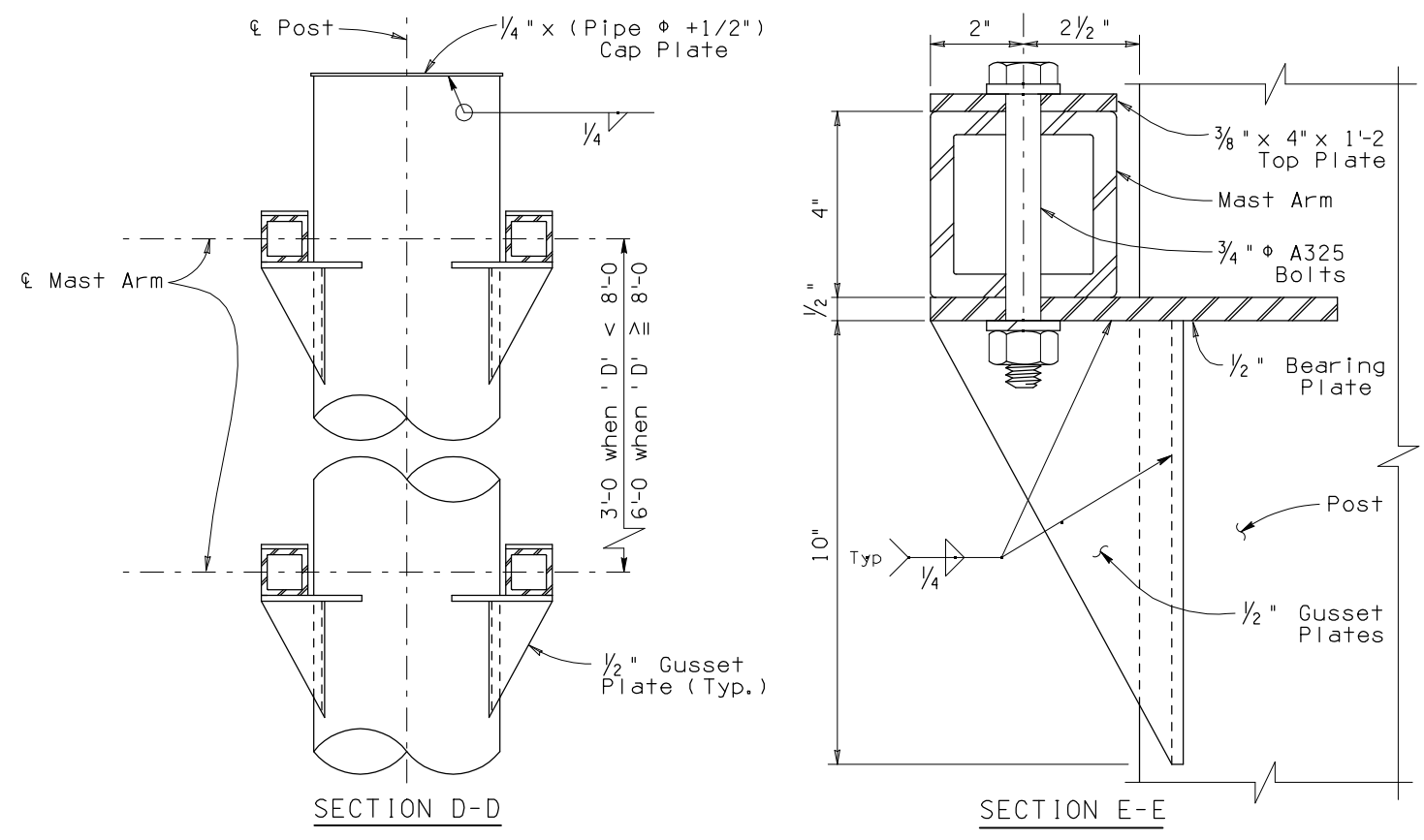
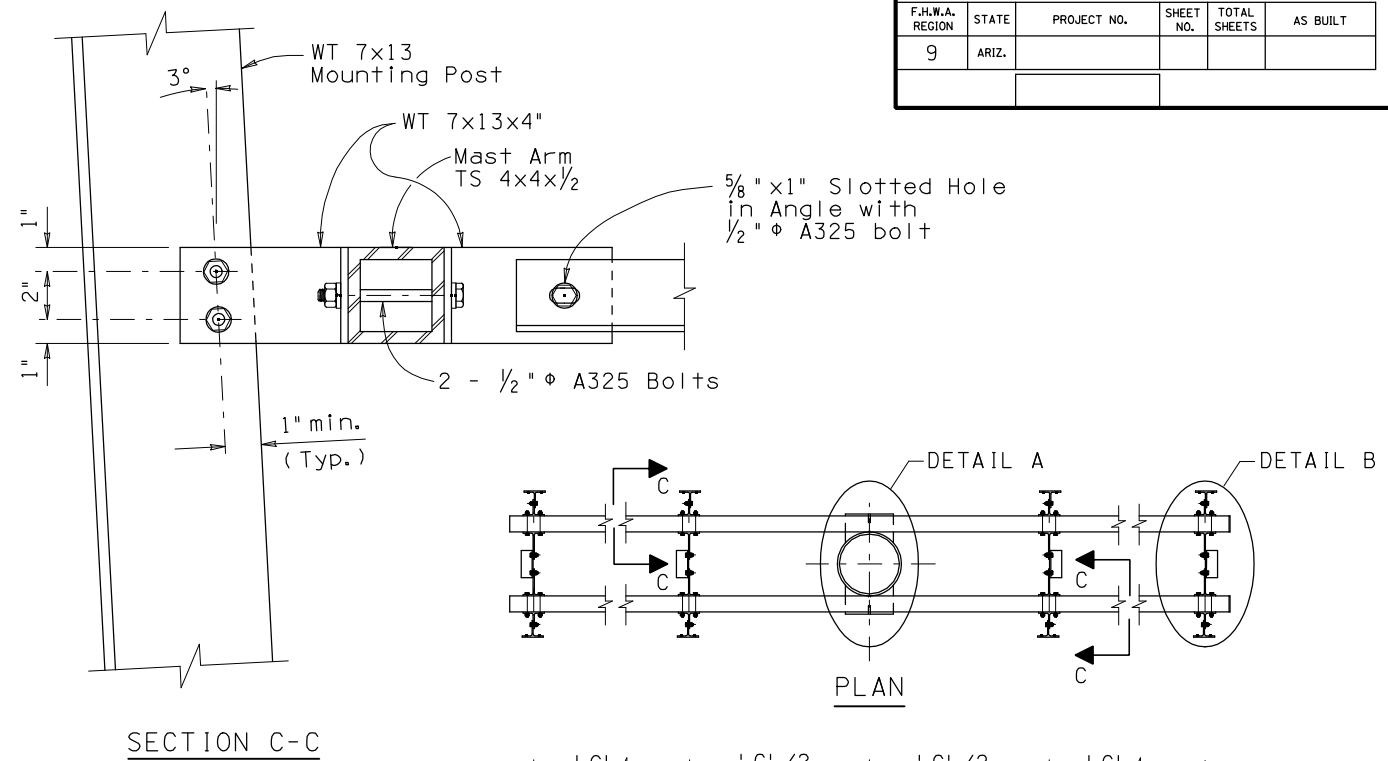
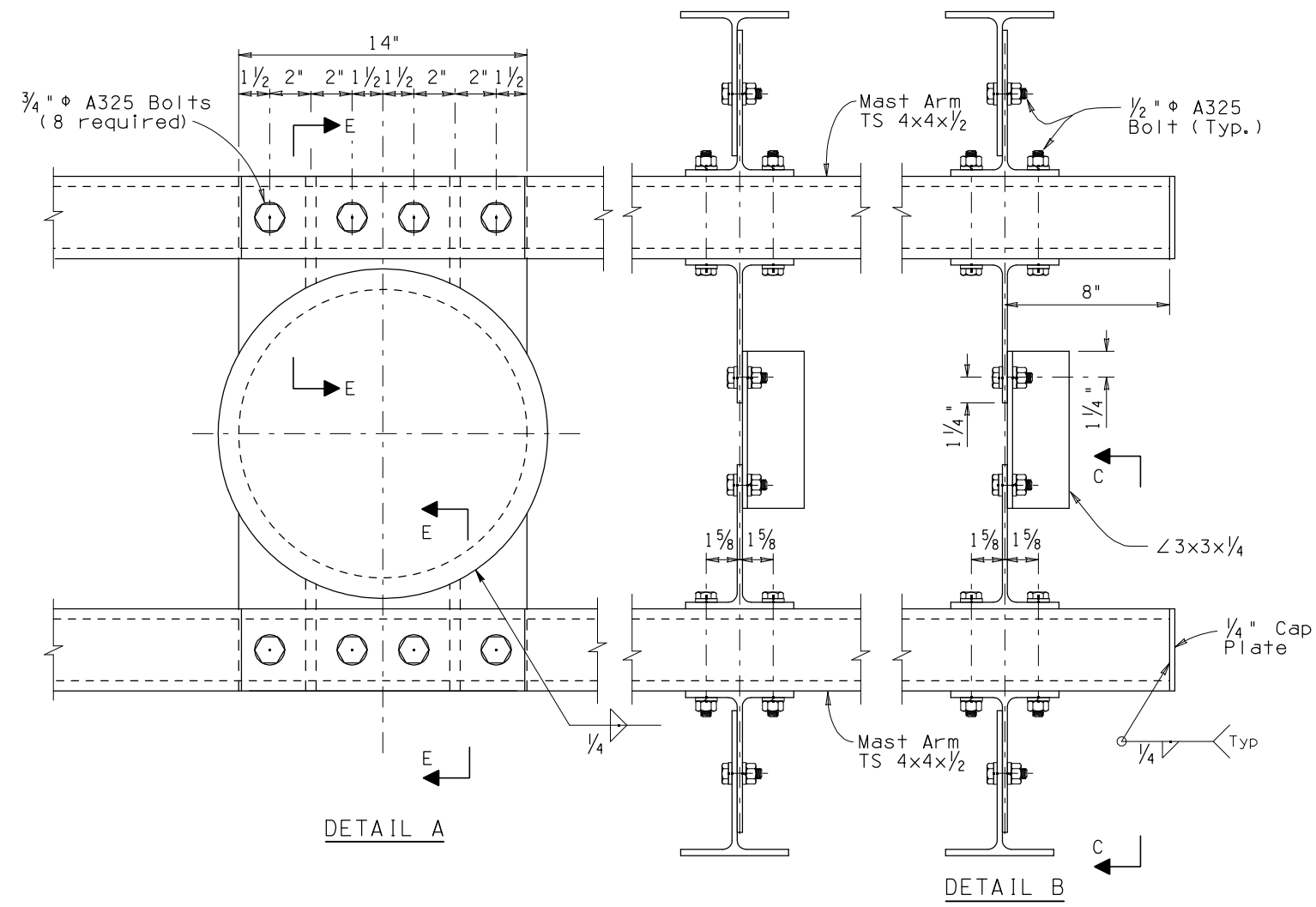


| F.H.W.A. REGION | STATE | PROJECT NO. | SHEET NO. | TOTAL SHEETS | AS BUILT |
|-----------------|-------|-------------|-----------|--------------|----------|
| 9 | ARIZ. | | | | |



TYPE B FRAME

Note to Designer:
 The information presented in this Standard Detail has been prepared in accordance with recognized engineering principles and is for general use. It should not be used for specific application without competent professional examination and verification of its suitability and applicability by a licensed professional engineer. Contents within the inner border line shall not be altered.

| NO. | DATE | DESCRIPTION OF REVISIONS |
|-----|------|--------------------------|
| 1 | 4-00 | Original Issue |
| 2 | | |
| 3 | | |
| 4 | | |

| | |
|---------------------------------------------------|--------------------------------------------------------------------------------------------------------------------|
| DESIGN APPROVED <i>Shafiq U. Hasan</i> | ARIZONA DEPARTMENT OF TRANSPORTATION INTERMODAL TRANSPORTATION DIVISION BRIDGE GROUP STRUCTURE DETAIL |
| APPROVED FOR DISTRIBUTION <i>Tean A. Nehme</i> | MEDIAN SIGN STRUCTURE (TWO SIDED) TYPE B SIGN MOUNT ASSEMBLY |
| ROUTE | LOCATION |
| TRACS NO. | DRAWING NO. SD 9.01(4 of 5) OF |