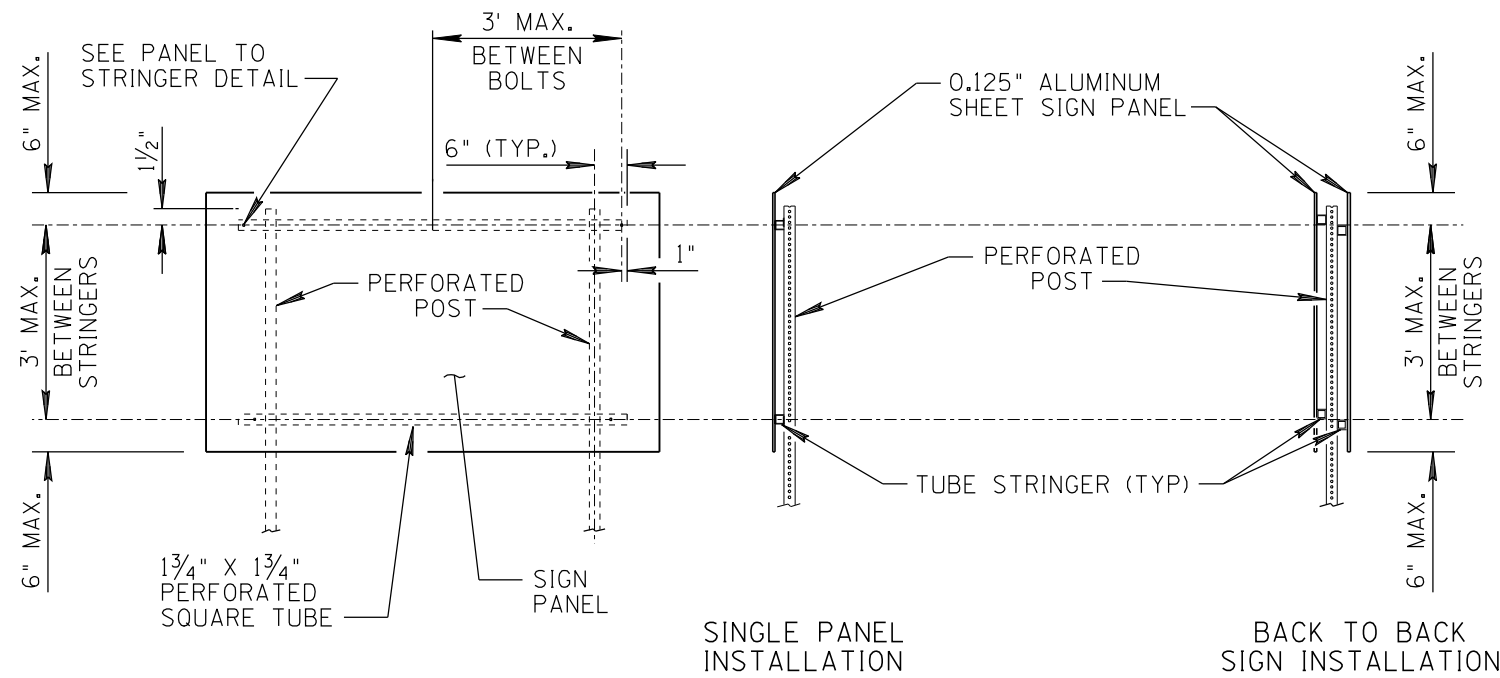


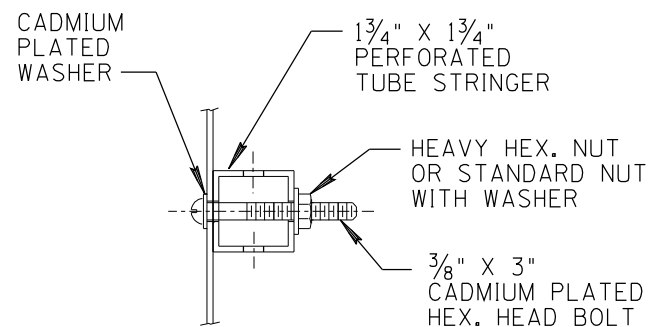
NO. 1 RE-ISSUE
 2 CORRECTED STD DRAWING REFERENCE NUMBERS
 3 DATE 2/02
 4 DATE 1/10
 MADE BY L. LOPEZ
 L. LOPEZ
 DESCRIPTION OF REVISIONS
 MADE BY DATE NO.
 DATE 2/02 3
 1/10 4

GUIDE SIGN POST SPACING
 (NOT FOR USE WITH WARNING, REGULATORY OR MARKER PANELS)

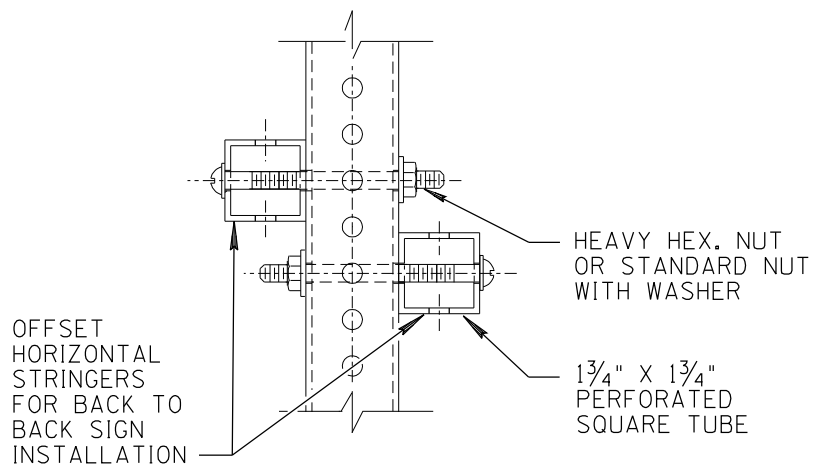
PANEL WIDTH	3'	4'	5'	6'	7'	8'	9'	10'
TWO POSTS SPACING (A)	1'-10"	2'-6"	3'-0"	3'-8"	4'-2"	4'-10"	5'-4"	6'-0"
BOLTS TO PANEL (PER STRINGER)	—	—	3	3	3	3	4	4
LENGTH OF EACH STRINGER	—	—	4'-0"	4'-8"	5'-2"	5'-10"	6'-4"	7'-0"
THREE POSTS SPACING (B)	—	—	1'-9"	2'-1"	2'-5"	2'-10"	3'-2"	3'-6"
BOLTS TO PANEL (PER STRINGER)	—	—	3	3	3	4	4	4
LENGTH OF EACH STRINGER	—	—	4'-6"	5'-2"	5'-10"	6'-8"	7'-4"	8'-0"



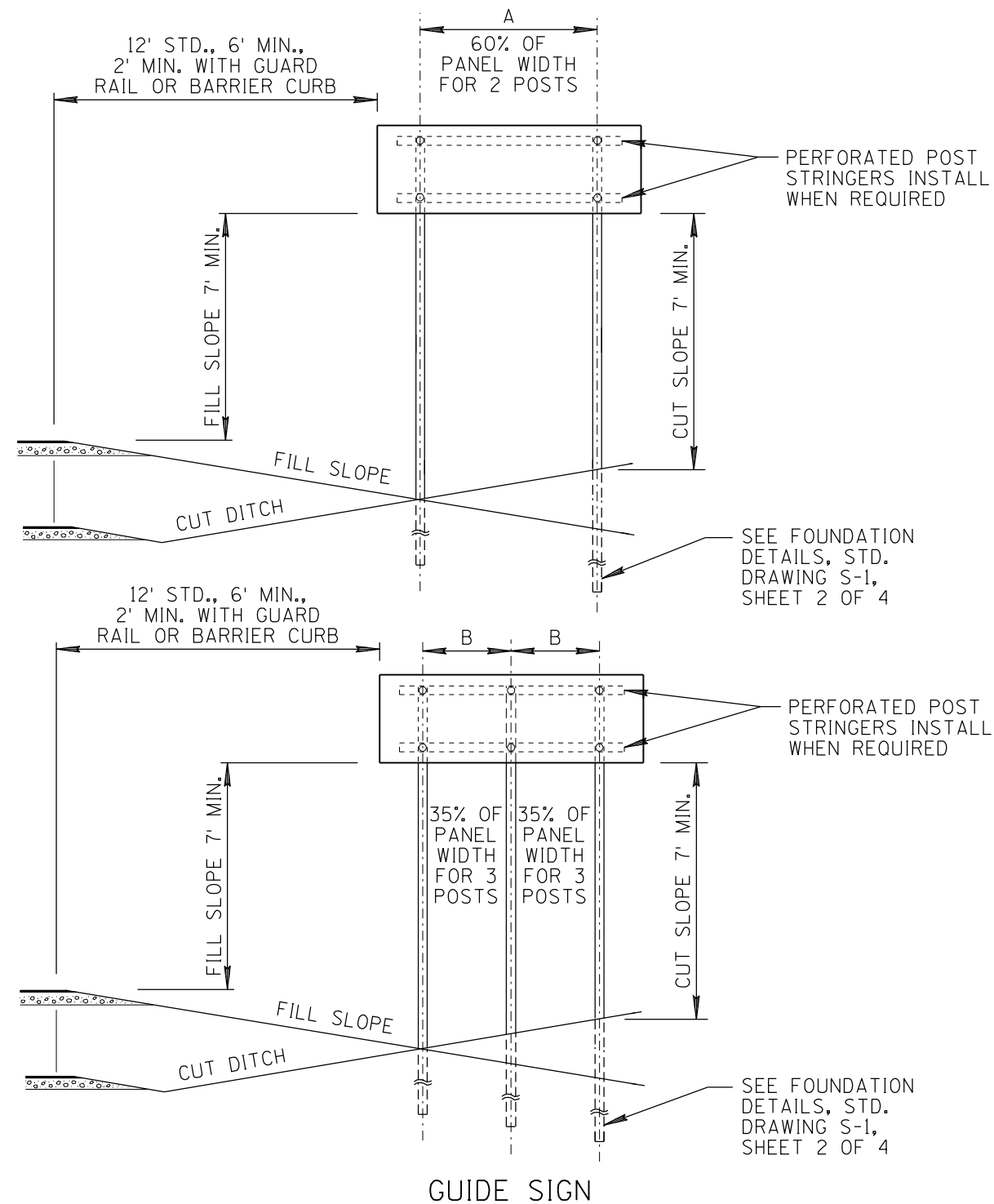
STRINGER DETAILS FOR GUIDE SIGNS
 (5 FT. - 10 FT. WIDE)



PANEL TO STRINGER
 OR POST CONNECTION
 TOP VIEW



STRINGER TO POST CONNECTION
 SIDE VIEW



GUIDE SIGN

- NOTES:
- ALL FLAT SHEET ALUMINUM PANELS SHALL BE CONSTRUCTED WITHOUT SPLICES IN THE ALUMINUM.
 - REFLECTIVE SHEETING SPLICES ARE NOT PERMITTED IF MINIMUM DIMENSION OF THE SIGN IS 4' OR LESS.

NOT TO SCALE

DESIGN APPROVED	ARIZONA DEPARTMENT OF TRANSPORTATION INTERMODAL TRANSPORTATION DIVISION TRAFFIC SIGNING & MARKING STANDARD DRAWINGS	REVISION 1/10
SIGNATURES		DRAWING NO. S-3
APPROVED FOR DISTRIBUTION	OFFSETS, CLEARANCE, AND MOUNTING DETAILS FOR SQUARE TUBE POSTS	SHEET NO. 4 OF 4
ON FILE		