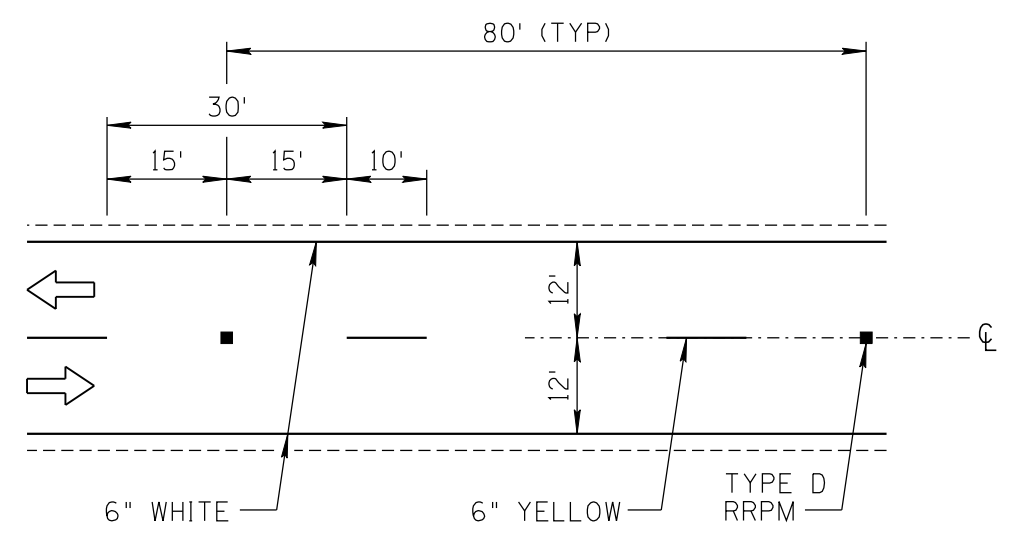
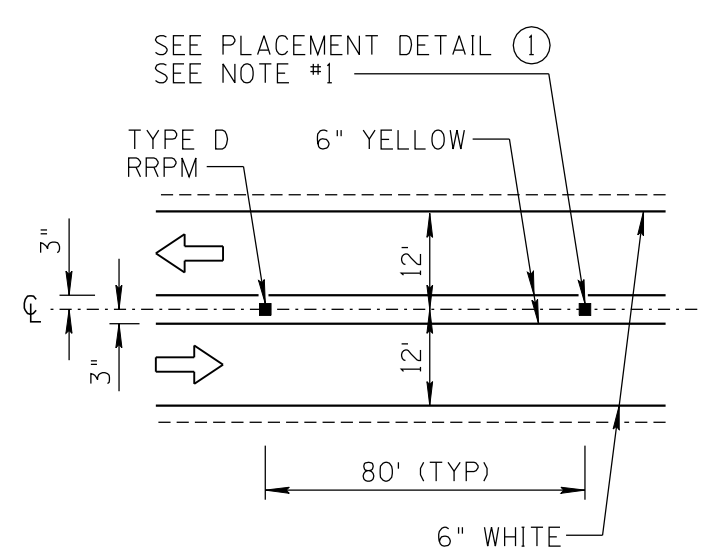


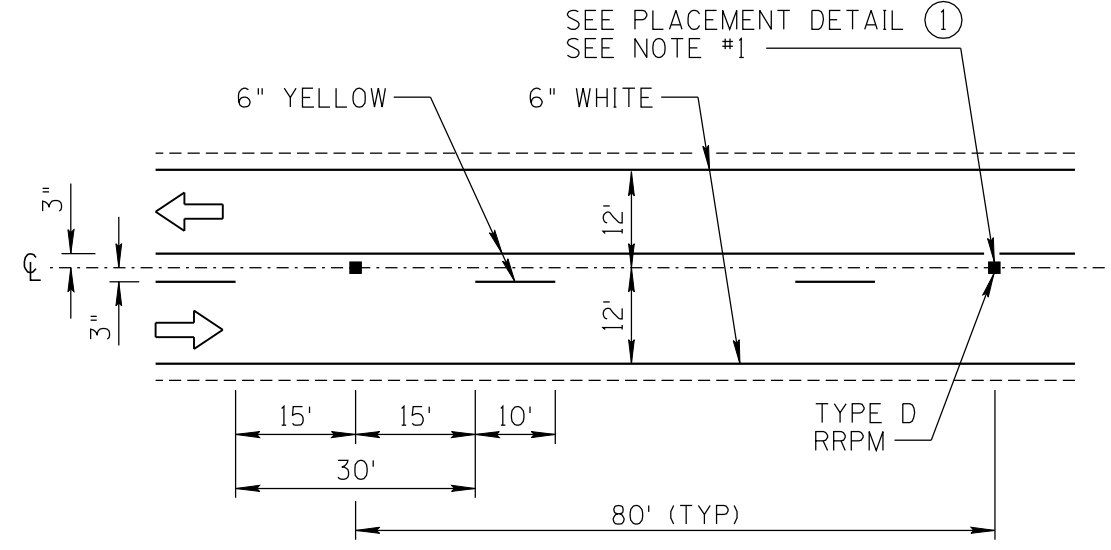
NO	DESCRIPTION OF REVISIONS	MADE BY	DATE
1	RE-ISSUE	L. LOPEZ	2/02
2	CHANGED SHEET NUMBER, EDIT NOTES.	L. LOPEZ	6/08
3			
4			



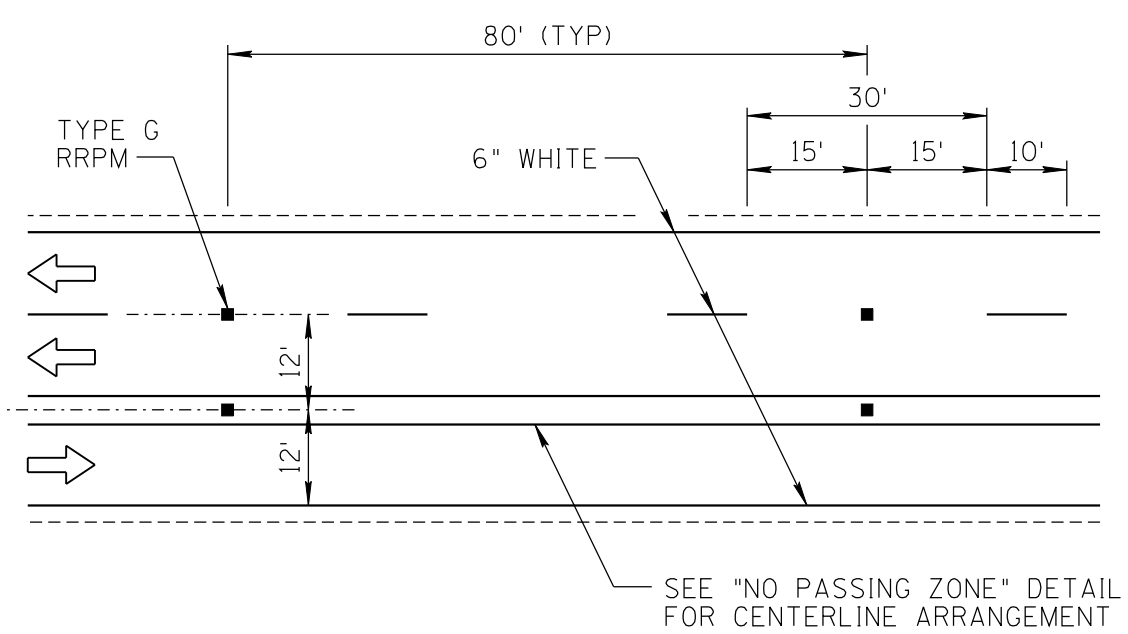
TWO-WAY PASSING ZONE



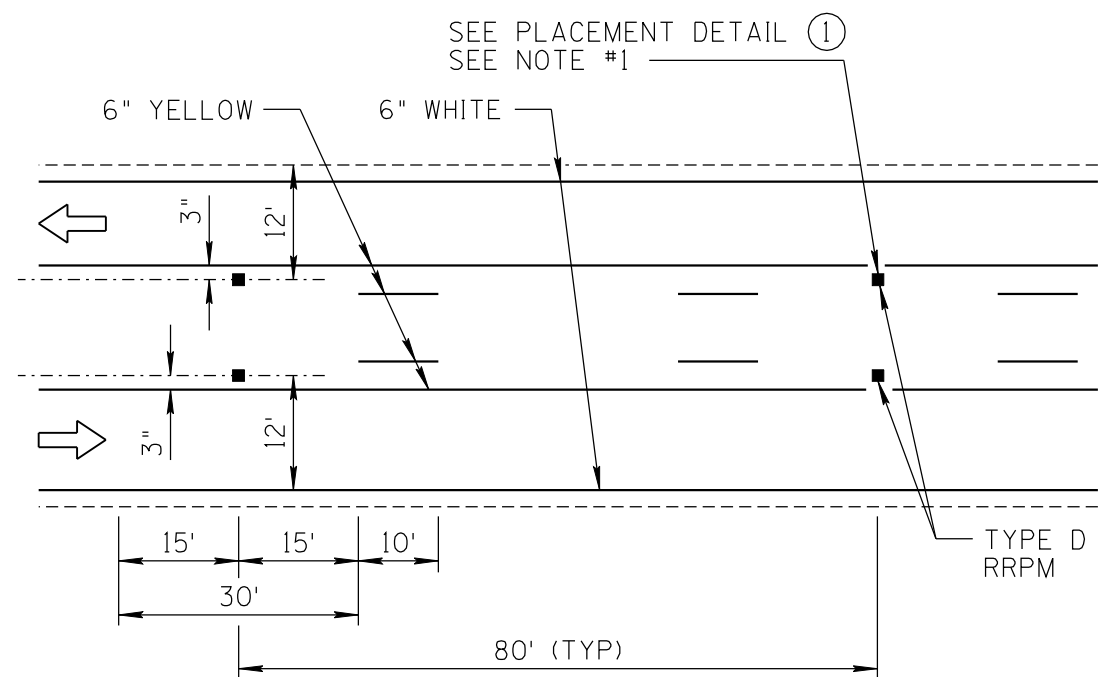
NO PASSING ZONE



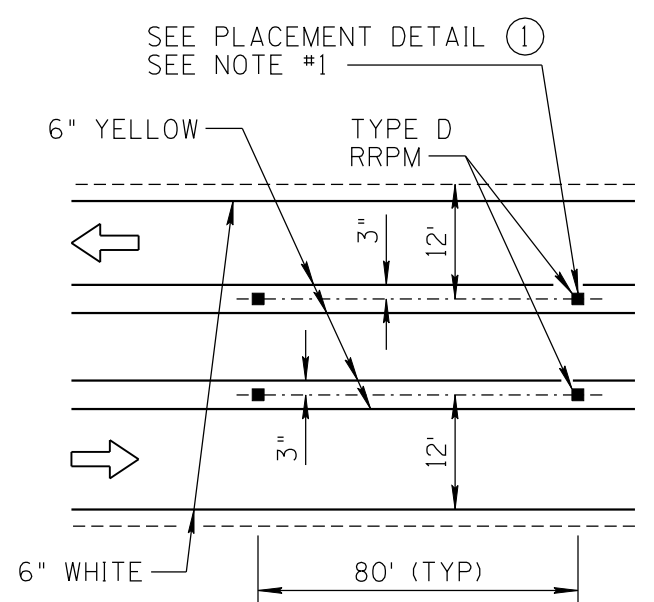
PASSING ONE-SIDE



PASSING/CLIMBING LANE



TWO-WAY LEFT-TURN LANE



STRIPED MEDIAN

NOTES:

1. PLACEMENT DETAIL ① IS SHOWN ON SHEET 10 OF 10 OF THIS STANDARD DRAWING.
2. SERIES 80 SPACING OF PAVEMENT MARKERS SHOULD ONLY BE CONSIDERED ON RURAL HIGHWAYS THAT ARE RELATIVELY STRAIGHT AND FLAT.

SHEET 7 OF 10
NOT TO SCALE

DESIGN APPROVED APPROVED DISTRIBUTION	ARIZONA DEPARTMENT OF TRANSPORTATION INTERMODAL TRANSPORTATION DIVISION STANDARD DRAWINGS	REV. 6/08
	SERIES 80 RETROREFLECTIVE RAISED PAVEMENT MARKERS (RRPM) FOR UNDIVIDED HIGHWAYS	DRAWING NO. M-19