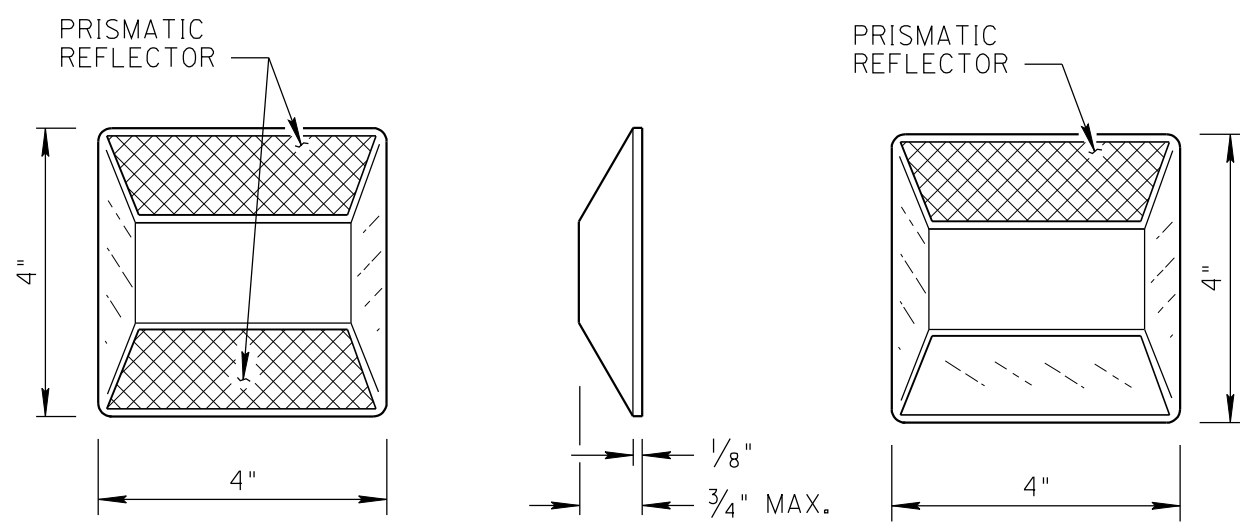
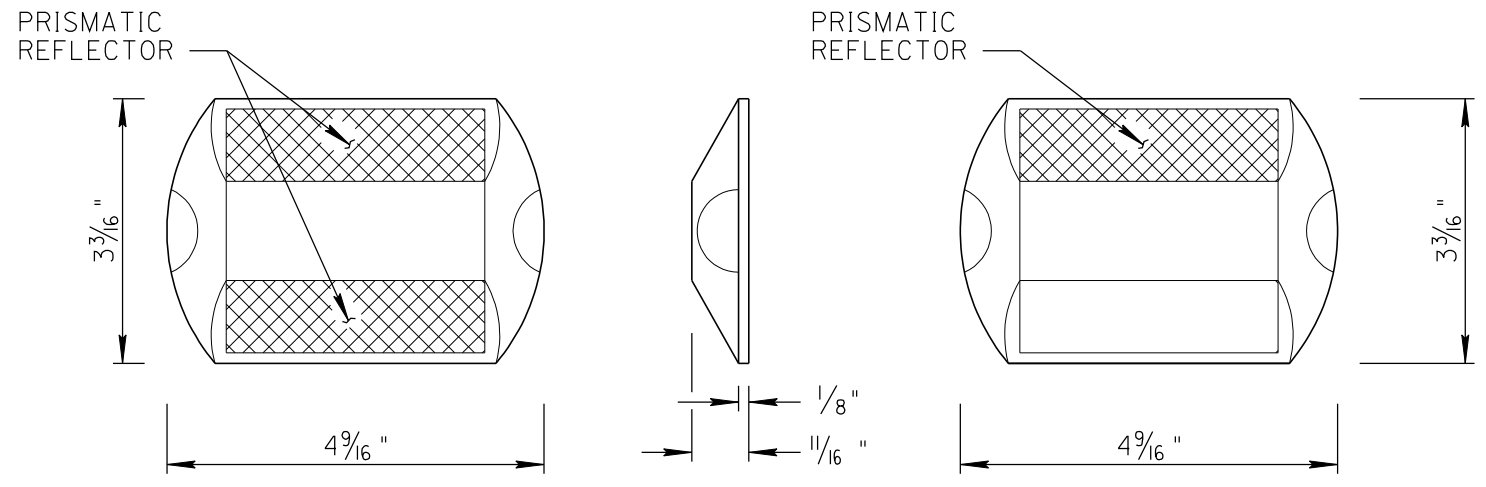


NO	DESCRIPTION OF REVISIONS	MADE BY	DATE
1	RE-ISSUE	L. LOPEZ	2/02
2	RE-ISSUE; ADDED TYPE BB & TYPE E PAVEMENT MARKER	L. LOPEZ	6/08
3			
4			



TYPES BB, C, D AND E

TYPES G AND H

RETROREFLECTIVE RAISED PAVEMENT MARKERS

NOTES:

1. SEE THE SPECIFICATIONS FOR ADDITIONAL REQUIREMENTS.
2. ALL DIMENSIONS ARE NOMINAL, EXCEPT AS OTHERWISE NOTED.
3. THE ACTUAL SHAPES OF THE RRPMS CAN VARY FROM WHAT IS SHOWN, IF APPROVED.

SHEET 3 OF 10
NOT TO SCALE

DESIGN APPROVED APPROVED BY DISTRIBUTION	ARIZONA DEPARTMENT OF TRANSPORTATION INTERMODAL TRANSPORTATION DIVISION STANDARD DRAWINGS	REV. 6/08
	RETROREFLECTIVE RAISED PAVEMENT MARKER DETAILS	DRAWING NO. M-19