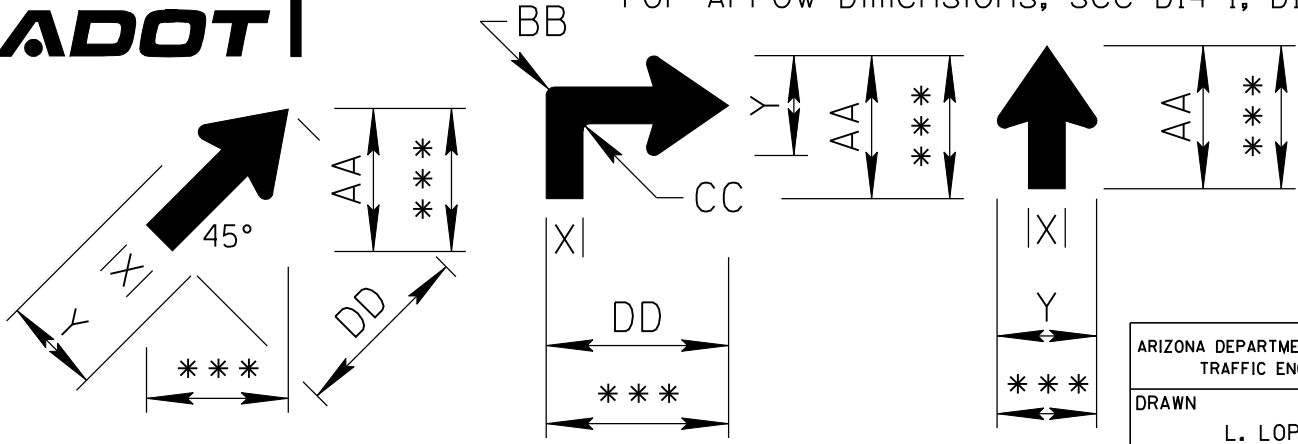


LOGO COLOR DESCRIPTION:
 DEEP PURPLE XL1039
 #652 FILM
 DARK TEAL XL1041
 #652 AVERY

For Arrow Dimensions, see D14-1, D14-2, D14-3.



ARIZONA DEPARTMENT OF TRANSPORTATION TRAFFIC ENGINEERING GROUP	
DRAWN L. LOPEZ	DATE 6/04