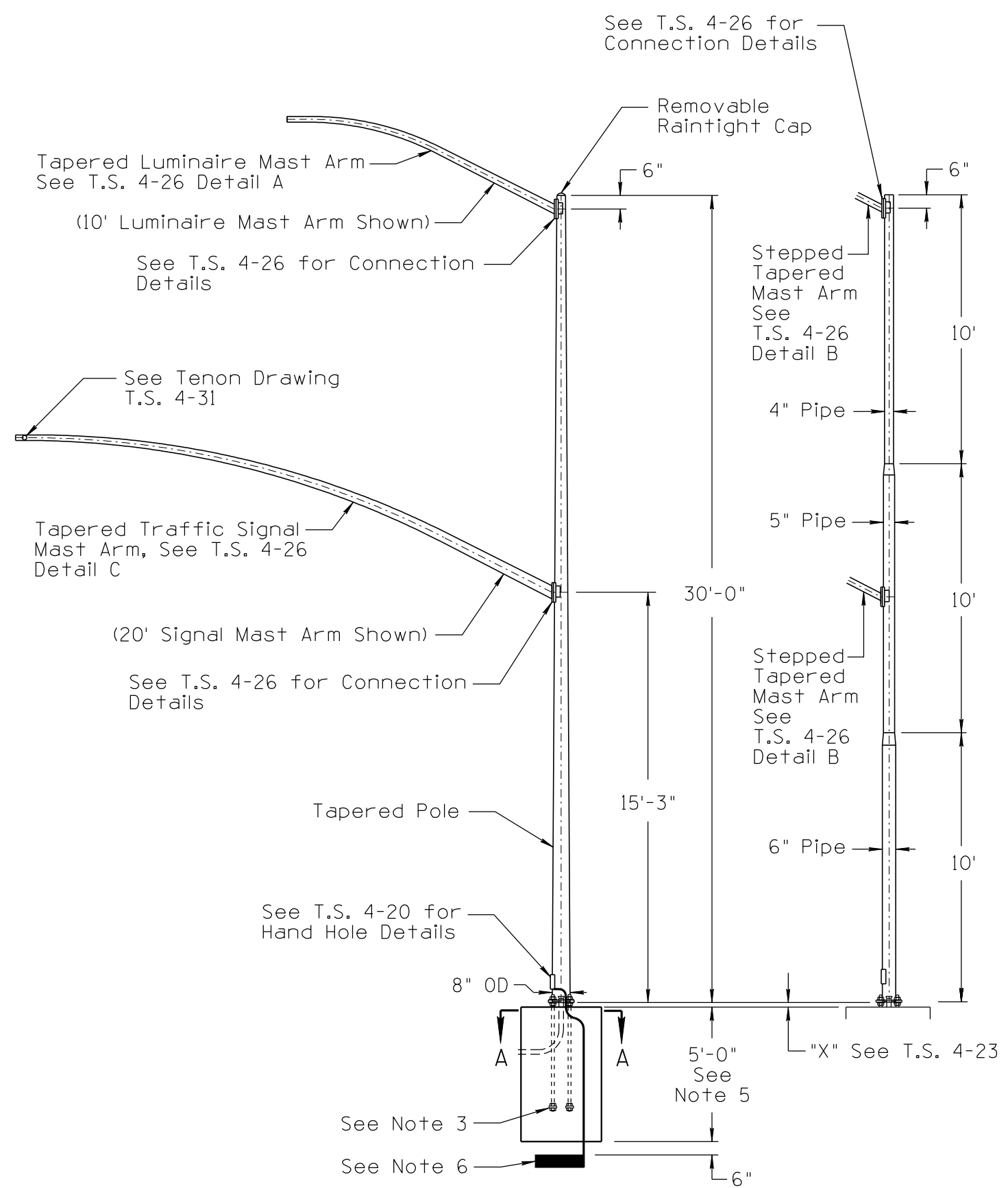


NO	1	2010 EDITION
DESCRIPTION OF REVISIONS		
MADE BY	C. COLE	
DATE	03/10	
NO	3	4
DESCRIPTION OF REVISIONS		
MADE BY		
DATE		
NO		
DESCRIPTION OF REVISIONS		
MADE BY		
DATE		

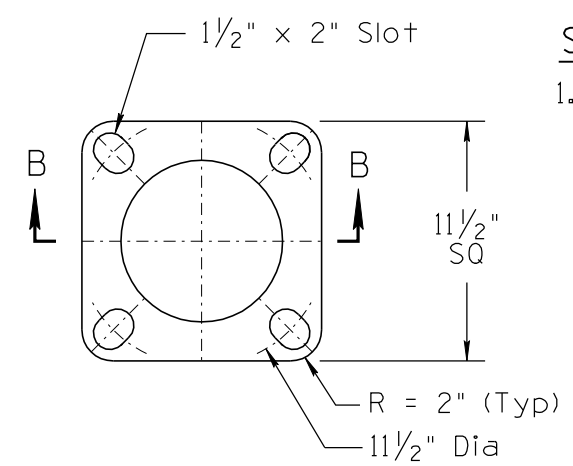


NOTES:

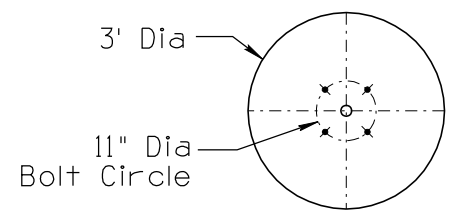
1. All materials and construction shall conform to the requirements of the Specifications.
2. Pole shall comply with 1994 AASHTO loading requirements for Structural Supports for Highway Signs, Luminaires and Traffic Signals.
3. See T.S. 4-23 for anchor bolt details.
4. The foundation hole shall be augered and Class "S" (3000 PSI) concrete, poured against undisturbed compacted earth.
5. Unstable soil and/or steep slope may require deeper foundation. See Specifications.
6. A 25' coil of #4 AWG bare copper conductor or a 14" square copper ground plate shall be installed before the concrete is poured and connected to pole grounding lug in the hand hole. The ground or coil shall be covered with 6" of fill.
7. For inboard tenon, when specified, see tenon detail on T.S. 9-1.
8. All pole shafts shall be continuous or step tapered.
9. All dimensions are nominal.
10. This pole can be used with a 12', 15' 18' or 20' signal mast arm and a 10' Luminaire mast arm.
11. Once the pole installation is completed the open space between the base plate and foundation shall be grouted.

SPECIAL NOTE:

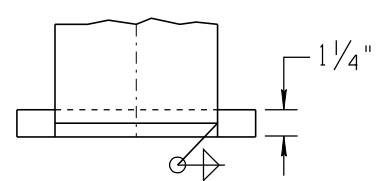
1. This Traffic Signal Pole is for special applications only, and must be approved for design use by ADOT Traffic Engineering.



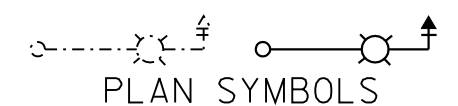
BASE PLATE DETAIL



SECTION A-A



SECTION B-B
(Bolt Slots Not Shown)



PLAN SYMBOLS

NOT TO SCALE

DESIGN APPROVED	ARIZONA DEPARTMENT OF TRANSPORTATION INTERMODAL TRANSPORTATION DIVISION TRAFFIC SIGNALS AND LIGHTING STANDARD DRAWINGS	REVISION 03/10
SIGNATURE		DRAWING NO. T.S. 4-3
APPROVED FOR DISTRIBUTION	ON FILE	SHEET NO. 1 OF 1
	TYPE "F" POLE	